

PARTS LIST

PARTS REPLACEMENT

Replacement parts which have these special safety characteristics identified in this manual; electrical components having such features are identified by Δ in the Replacement Parts Lists. The use of a substitute replacement part which does not have the same safety characteristics as the factory recommended replacement parts shown in this service manual may create shock, fire or other hazards.

"HOW TO ORDER REPLACEMENT PARTS"

To have your order filled promptly and correctly, please furnish the following informations.

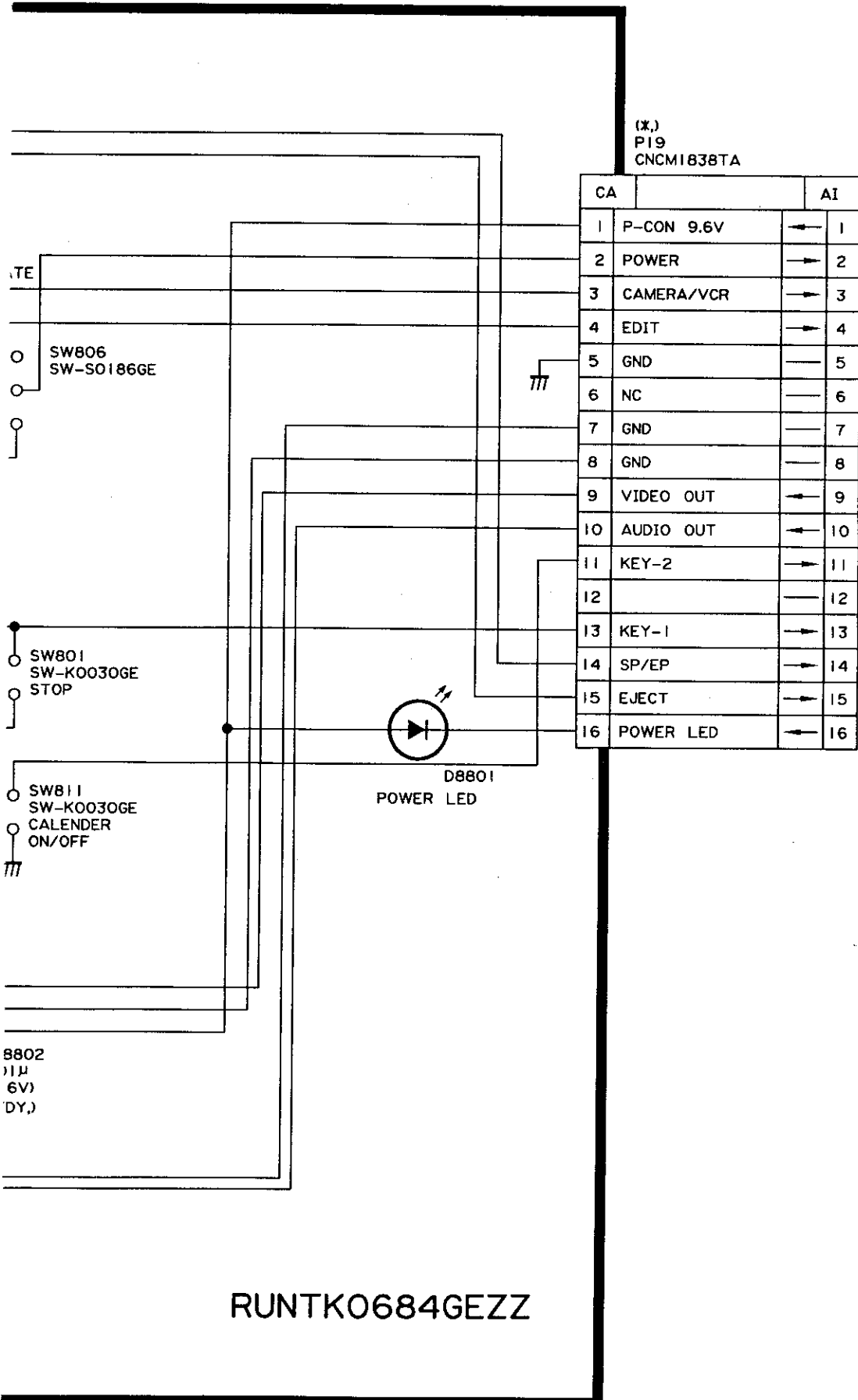
- 1. MODEL NUMBER 2. REF. NO.
- 3. PART NO. 4. DESCRIPTION
- 5. CODE

• PWB Unit Not Supplied.

Δ MARK:SAFETY RELATED PARTS

Ref.No	Part No.	★	Description	Code
PRINTED WIRING BOARD ASSEMBLY				
	DUNTK2204PM01		Sensor PWB Unit	—
	DUNTK2313PM00		Camera Main PWB Unit	—
	DUNTK2206PM01		A/F, PWB Unit	—
	DUNTK2207RA03		Camera Operation PWB Unit	—
	DUNTK2217PM00		B/W, V/F PWB Unit	—
	DUNTK3436HE01		System Control PWB Unit (VL-C790S.H) (VL-C7450E)	—
	DUNTK3436HE03		System Control PWB Unit (VL-C790X)	—
	DUNTK3437HE03		Signal PWB Unit	—
TUNER AND ASSEMBLY UNITS				
	RUNTK0684GEZZ		Operation Panel Unit	AY

Ref. No.	Part No.	★	Description	Code
DUNTK2204PM01 SENSOR Board Ass'y				
INTEGRATED CIRCUITS				
IC101	VHiCXD1156R-1		CXD1156R	AX
IC102	VHiCXD1250M-1		CXD1250 ohm	AU
IC104	VHiR3P66//-1		1R3P66	AG
IC105	VHiNJM79L091E		I.C.	AE
IC106	RH-iX1426CEZZ		TC74HC04AF	AC
IC109	VHiM5236ML/-1		ohm5236ML	AE
TRANSISTORS				
Q101	VS2SB956R//-1		Transistor	AC
Q103, 105, 106	VS2SC4617B/-1		Transistor	AA
Q104	VSXP1501///-1		XP1501	AB
Q107	VS2SK160///-1		2SK160	AD
Q108	VS2SC2712Y/-1		2SC2712	AB
Q109, 112	VS2SC3735//-1		2SC3735	AC
Q110, 111	VS2SA1462//-1		2SA1462	AC
DIODES AND LED'S				
D102	VHDMA133///-1		Diode	AB
D103, 109, 110, 111	VHDMA132K//-1		Diode	AA
D104	VHDMA132WA/-1		Diode	AA
D105, 106, 107, 108	VHD1S2837//1E		1S2837	AC
PACKAGED CIRCUITS				
X101	RCRSZ0009GEZZ		Crystal	AR
COIL AND TRANSFORMERS				
FL101	RCiLi0306TAZZ		IF Coil	AF
L101, 102, 103, 105	VP-1M1R0MR50N		Peaking 1 μ H 20%	AC
L104	VP-1MR47MR38N		Peaking 0.47 μ H 20%	AC
L106	VP-1M100K1R6N		Peaking 10 μ H 10%	AC
L107, 108	VP-1M680K6R9N		Peaking 68 μ H 10%	AC
L109, 110	VP-1MR68MR46N		Peaking 0.68 μ H 20%	AC



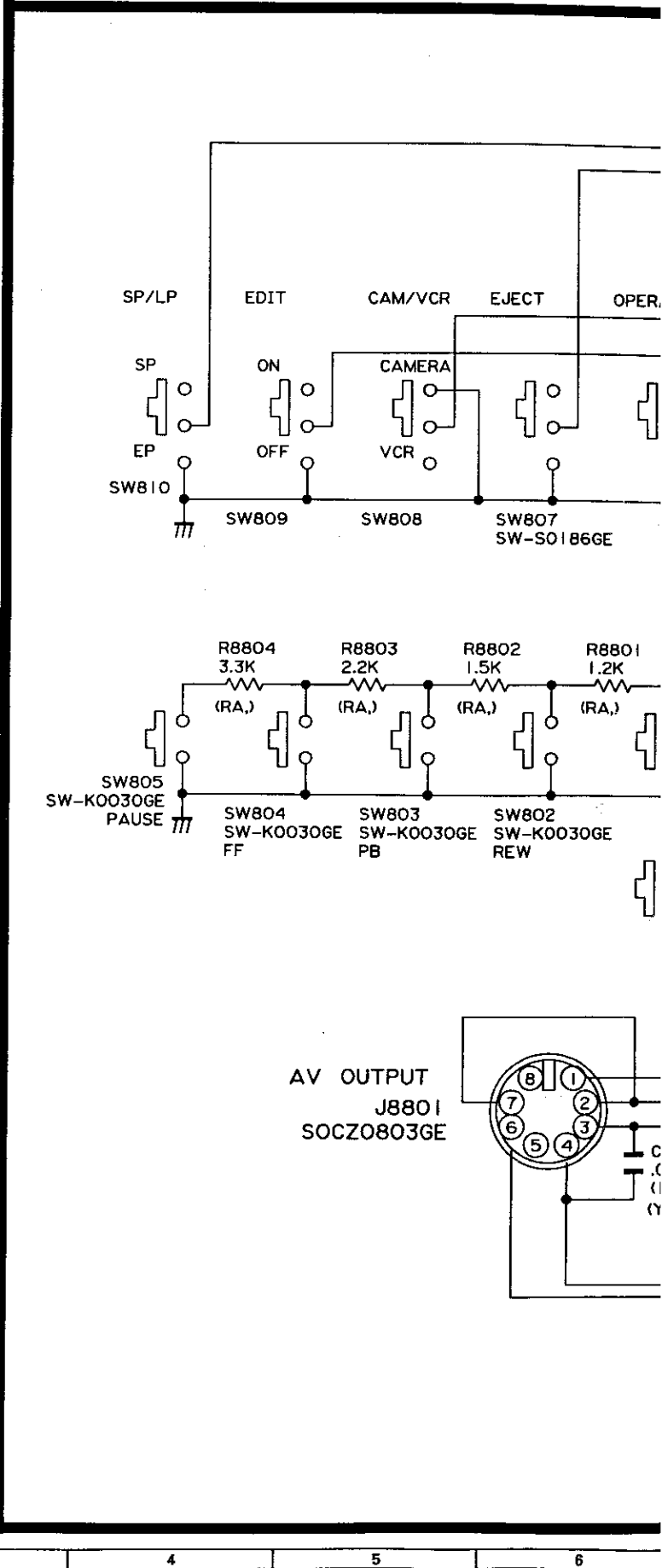
RUNTK0684GEZZ

7	8	9	10	11	12
---	---	---	----	----	----

Ref.No	Part No.	★	Description	Code	Ref. No.	Part No.	★	Description	Code
CONTROLS					C147, 149	VCSATA1EJ105M		1.0 μ F 25V Tantalum, (N.P)	AC
R115 R126	RVR-M7997TAZZ RVR-M8007TAZZ		Variable Resistor Variable Resistor	AC AC	C151, 152, 155, 156, 160, 162	VCSAPD1CJ105M		1.0 μ F 16V Tantalum, (N.P)	AC
CAPACITORS					C154 C167 C169 C171 C178, 179	VCKYTQ1HF224Z VCCCCY1HH100D VCSAPH1CJ335M VCCCCY1HH181J VCKYTQ1HB104K		0.22 μ F 50V Ceramic 10pF 50V Ceramic 3.3 μ F 16V Tantalum, (N.P) 180pF 50V Ceramic 0.1 μ F 50V Ceramic	AB AA AD AA AB
C101, 102, 103, 104, 106, 121, 122	VCCCCY1HH470J		47pF 50V Ceramic	AA	RESISTORS				
C105, 108, 119, 170, 174, 175	VCCCCY1HH220J		22pF 50V Ceramic	AA	R101, 105, 106, 111, 112, 134	VRS-CY1JF101J		100 0.063W 5% Metal Oxide	AA
C107, 109, 112, 116, 158, 180	VCKYCY1HB102K		1000pF 50V Ceramic	AA	R102, 103, 104, 145	VRS-CY1JF102J		1.0k 0.063W 5% Metal Oxide	AA
C115, 157, 163, 165	VCKYCY1HF103Z		0.01 μ F 50V Ceramic	AA	R107	VRS-CY1JF100J		10 0.063W 5% Metal Oxide	AA
C117, 120, 124, 125, 148, 159, 161, 172, 173	VCKYCY1EB103K		0.01 μ F 25V Ceramic	AA	R114	VRS-CY1JF303F		30k 0.063W 1% Metal Oxide	AA
C123, 164, 166	VCSAPK0JJ476M		47 μ F 6.3V Tantalum, (N.P)	AD	R116	VRS-CY1JF222J		2.2k 0.063W 5% Metal Oxide	AA
C126, 153	VCEAPC0JW476M		47 μ F 6.3V Electrolytic	AC	R117, 125, 127	VRS-CY1JF153J		15k 0.063W 5% Metal Oxide	AA
C127, 135	VCKYTV1HF473Z		0.047 μ F 50V Ceramic	AB	R118	VRS-CY1JF221J		220 0.063W 5% Metal Oxide	AA
C128, 130, 145	VCEAPC1HW335M		3.3 μ F 50V Electrolytic	AB	R123	VRS-CY1JF271J		270 0.063W 5% Metal Oxide	AA
C132, 138	VCEAPC1VW106M		10 μ F 35V Electrolytic	AB	R124	VRS-CY1JF274J		270k 0.063W 5% Metal Oxide	AA
C133 C134, 142	VCKYCY1CF473Z VCEAPC1CW106M		0.047 μ F 16V Ceramic 10 μ F 16V Electrolytic	AA AB	R128	VRS-CY1JF393J		39k 0.063W 5% Metal Oxide	AA
C136, 137	VCEAPC1HW105M		1.0 μ F 50V Electrolytic	AB	R129	VRS-CY1JF563J		56k 0.063W 5% Metal Oxide	AA
C143, 144, 146, 168	VCKYCY1CF104Z		0.1 μ F 16V Ceramic	AA	R130, 148	VRS-CY1JF273J		27k 0.063W 5% Metal Oxide	AA
					R131, 150	VRS-CY1JF105J		1.0ohm 0.063W 5% Metal Oxide	AA
					R132	VRS-TV1JD511F		510 0.063W 1% Metal Oxide	AA
					R133	VRS-CY1JF184F		180k 0.063W 1% Metal Oxide	AA
					R135	VRS-CY1JF392J		3.9k 0.063W 5% Metal Oxide	AA
					R136	VRS-CY1JF273F		27k 0.063W 1% Metal Oxide	AA

OPERATION PANEL UNIT CIRCUIT SCHEMATIC DIAGRAM

A
B
C
D
E
F
G
H



★ MARK : SPARE PARTS DELIVERY SECTION

Ref.No	Part No.	★	Description	Code	Ref. No.	Part No.	★	Description	Code							
R137	VRS-CY1JF681F		680 0.063W 1% Metal Oxide	AA	TRANSISTORS											
R138	VRS-TV1JD150J		15 0.063W 5% Metal Oxide	AA	Q201,	VSXP6501///-1		Transistor	AB							
R139,	VRS-TV1JD100J		10 0.063W 5% Metal Oxide	AA	202,											
140				AA	206,											
R141,	VRS-CY1JF150J		15 0.063W 5% Metal Oxide	AA	218,											
142				AA	228,											
R143	VRS-CY1JF152J		1.5k 0.063W 5% Metal Oxide	AA	302,											
R144	VRS-CY1JF471J		470 0.063W 5% Metal Oxide	AA	401,											
R146	VRS-CY1JF681J		680 0.063W 5% Metal Oxide	AA	406,											
R147,	VRS-CY1JF000J		00 0.063W 5% Metal Oxide	AA	411,											
160				AA	412,											
R149	VRS-CY1JF683J		68k 0.063W 5% Metal Oxide	AA	413,		Transistor	AB								
R151,	VRS-CY1JF561J		560 0.063W 5% Metal Oxide	AA	Q203,	VSXP6401///-1										
152				AA	414,											
R154	VRS-CY1JF223J		22k 0.063W 5% Metal Oxide	AA	416,											
R156	VRS-CY1JF104J		100k 0.063W 5% Metal Oxide	AA	803,											
R158	VRS-CY1JF331J		330 0.063W 5% Metal Oxide	AA	804,											
R159	VRS-CY1JF391J		390 0.063W 5% Metal Oxide	AA	806											
CABINET PARTS					Q204,				VSXP4601///-1		Transistor	AB				
TP101,	QPWBH2220TAZZ		Printed Wiring Board	AM	207,											
102,	QLUGP0110TAFW		Lug	AA	208,											
103					209,											
DUNTK2313PM00 CAMERA MAIN Board Ass'y					210,											
INTEGRATED CIRCUITS					215,											
IC201	VHiAN2154FA-1		AN2154FAP	AW	220,											
IC202,	VHiXR10358F-1		XRA10358F	AC	221,											
654					222,											
IC203,	VHiMSM6850M-1		I.C.	AN	223,											
204,					224,											
205					407,											
IC301	VHiAN2365S/-1		AN2365S	AQ	409,											
IC302,	VHiXR10324F-1		XRA10324	AD	410,											
802					417,											
IC401	VHiAN2254FA-1		AN2254FAP	AW	801,											
IC501	VHiLZ95D23/-1		LZ95D23	AT	808,											
IC651,	VHiMB88341V-1		MB88341PFV	AS	809											
652					Q205,	VS2SC4617B/-1		Transistor	AA							
IC653	VHiCA93C46J-1		I.C	AK	212,											
IC655	RH-iX0637GEZZ		UPD75104GF-748	AU	214,											
IC803	VHiXRA45601F-1		XRA4560F	AC	216,											
					219,											
					226,											
					227,											
					404,											
					419,											
					807											
					Q211,	VS2SA1774F/-1		Transistor	AA							
					213,											
					402,											
					403,											
					408,											
					418											
					Q217		VS2SC1621///1E			2SC1621	XP1501	AD				
					Q225								VSXP1501///-1			
					Q301,									VSXP1113///-1	XP1113	AB
					305											

Ref.No	Part No.	★	Description	Code	Ref. No.	Part No.	★	Description	Code
Q303, 651, 652, 654, 805	VSUN9213///-1		UN9213	AA	CONTROLS				
Q501, 503, 504	VS2SK94-X3/-1		2SK94	AC	R290 R437, 715, 716	RVR-M8001TAZZ RVR-M7999TAZZ		Variable Resistor Variable Resistor	AC AC
Q505, 506	VS2SC2462-C-1		2SC2462	AB	CAPACITORS				
Q653	VSP4213///-1		Transistor	AB	C201, 260, 431	VCCCCY1HH120J		12pF 50V Ceramic	AA
DIODES AND LED'S					C202, 224, 231, 264, 301, 302, 501, 809	VCEAPC1CW106M		10 μ F 16V Electrolytic	AB
D301	VHDMA716///-1		Diode	AC	C203	VCSATA0JJ475M		4.7 μ F 6.3V Tantalum, (N.P)	AC
D302, 652	VHDMA132K// -1		Diode	AA	C204, 210, 211, 220, 238, 240, 246, 248, 255, 256, 401, 404, 406, 407, 408, 409, 410, 414, 416, 418, 419, 420, 421, 423, 425, 428, 502, 508, 511, 652, 663	VCKYCY1HF103Z		0.01 μ F 50V Ceramic	AA
D401	VHDMA153///-1		MA153	AB	PACKAGED CIRCUITS				
D651	RH-PX0150GEZZ		Photodiode	AB	TH201, 202	VHHNTA47235-1		Thermistor	AC
D801	VHDMA133///-1		Diode	AB	X501	RCRSZ0013CEZZ		Crystal	AT
COIL AND TRANSFORMERS					COIL AND TRANSFORMERS				
CF651	RFILC0034TAZZ		Filter	AD	C205	VCEAPC0GW476M		47 μ F 4.0V Electrolytic	AB
FL201	RCILF0228TAZZ		Coil	AH	C206, 207, 223, 226, 262, 304,	VCKYCY1CF104Z		0.1 μ F 16V Ceramic	AA
FL202	RCILF0227TAZZ		Coil	AH					
FL203	RCILF0225TAZZ		Coil	AH					
FL204, 205	RCILF0224TAZZ		Coil	AE					
FL401	RCILF0161TAZZ		Coil	AH					
L201	VP-1M180K2R5N		Peaking 18 μ H 10%	AC					
L202	VP-1M820K7R7N		Peaking 82 μ H 10%	AC					
L203, 204, 205, 206, 301, 501, 502, 503, 651	VP-1M470K5R4N		Peaking 47 μ H 10%	AC					
L401, 661	VP-1M100K1R6N		Peaking 10 μ H 10%	AC					
L402,	VP-1M330K4R2N		Peaking 33 μ H 10%	AC					
L403	VP-VM391K120N		Peaking 390 μ H 10%	AC					

★ MARK : SPARE PARTS DELIVERY SECTION

Ref.No	Part No.	★	Description	Code	Ref. No.	Part No.	★	Description	Code
C310, 405, 804	VCKYCY1CF104Z		0.1 μ F 16V Ceramic	AA	C241, 249	VCEAPC1CW476M		47 μ F 16V Electrolytic	AC
C208, 506, 818	VCKYCY1HB102K		1000pF 50V Ceramic	AA	C243, 252, 261	VCKYTQ1CR224K		0.22 μ F 16V Ceramic	AC
C209, 212, 213, 214, 218, 432	VCKYCY1CF473Z		0.047 μ F 16V Ceramic	AA	C250, 513, 514	VCCCCY1HH560J		56pF 50V Ceramic	AA
C215, 216, 229, 257, 258, 309, 412, 413, 417, 424, 426, 503, 504	VCKYTV1EB104K		0.1 μ F 25V Ceramic	AB	C259 C266	VCCCCY1HH680J VCE9PC0JW226M		68pF 50V Ceramic 22 μ F 6.3V Electrolytic, (N.P)	AA AC
C217	VCCCCY1HH820J		82pF 50V Ceramic	AA	C267, 509	VCCCTV1HH471J		470pF 50V Ceramic	AA
C219, 415, 422	VCSAPK0JJ476M		47 μ F 6.3V Tantalum, (N.P)	AD	C268, 402, 437	VCCCCY1HH121J		120pF 50V Ceramic	AA
C221, 222	VCKYTV1CR473K		0.047 μ F 16V Ceramic	AB	C303 C307, 308, 313, 651, 661	VCKYTQ1CR104K VCEAPC0JW226M		0.1 μ F 16V Ceramic 22 μ F 6.3V Electrolytic	AB AC
C227, 434, 436	VCCCCY1HH101J		100pF 50V Ceramic	AA	C312, 812, 815, 816	VCEAPC1HW105M		1.0 μ F 50V Electrolytic	AB
C228	VCCCCY1HH271J		270pF 50V Ceramic	AA	C403	VCKYTV1CF224Z		0.22 μ F 16V Ceramic	AB
C230	VCKYTV1EB223K		0.022 μ F 25V Ceramic	AB	C411	VCCCCY1HH270J		27pF 50V Ceramic	AA
C232	VCCCCY1HH151J		150pF 50V Ceramic	AA	C427	VCCCCY1HH180J		18pF 50V Ceramic	AA
C233, 433, 435	VCKYTV1CR683K		0.068 μ F 16V Ceramic	AB	C429	VCEAPC1HW225M		2.2 μ F 50V Electrolytic	AB
C234, 242, 251, 305, 311, 817	VCEAPC1VW475M		4.7 μ F 35V Electrolytic	AB	C430	VCCCCY1HH331J		330pF 50V Ceramic	AA
C235	VCEAPC1HW334M		0.33 μ F 50V Electrolytic	AB	C507	VCCCCY1HH150J		15pF 50V Ceramic	AA
C236, 237, 244, 245, 253, 254	VCKYCY1EB103K		0.01 μ F 25V Ceramic	AA	C510	VCCCCY1HH220J		22pF 50V Ceramic	AA
C239, 247, 263, 265, 306, 505, 512, 814	VCEAPC0JW476M		47 μ F 6.3V Electrolytic	AC	C658	VCKYTQ1CF105Z		1.0 μ F 16V Ceramic	AC
					C659, 660	VCCCCY1HH330J		33pF 50V Ceramic	AA
					C808	VCEAPC1CW226M		22 μ F 16V Electrolytic	AB
					C810	VCE9PC1VW225M		2.2 μ F 35V Electrolytic, (N.P)	AC
					C811	VCE9PC1CW475M		4.7 μ F 16V Electrolytic, (N.P)	AC
RESISTORS									
					R201	VRS-CY1JF100J		10 0.063W 5% Metal Oxide	AA
					R202, 313, 317, 333, 425	VRS-CY1JF393J		39k 0.063W 5% Metal Oxide	AA
					R203, 209, 221, 307, 319, 427, 449,	VRS-CY1JF223J		22k 0.063W 5% Metal Oxide	AA

Ref.No	Part No.	★	Description	Code	Ref. No.	Part No.	★	Description	Code
R452, 520, 546, 706, 707, 726, 830, 832	VRS-CY1JF223J		22k 0.063W 5% Metal Oxide	AA	R230, 231, 299, 335, 521, 749, 750	VRS-CY1JF563J		56k 0.063W 5% Metal Oxide	AA
R204, 268, 535, 536, 812, 847	VRS-CY1JF123J		12k 0.063W 5% Metal Oxide	AA	R207, 328, 343, 442, 854	VRS-CY1JF682J		6.8k 0.063W 5% Metal Oxide	AA
R205, 232, 240, 245, 260, 261, 262, 266, 285, 294, 296, 298, 303, 308, 322, 323, 325, 326, 403, 406, 436, 446, 478, 480, 529, 674, 675, 676, 677, 713, 714, 717, 718, 719, 731, 732, 739, 804	VRS-CY1JF102J		1.0k 0.063W 5% Metal Oxide	AA	R208, 247, 248, 334, 345, 412, 417, 418, 428, 430, 443, 444, 450, 455, 456, 483, 501, 503, 519, 525, 528, 655, 658, 659, 660, 665, 668, 671, 672, 673, 682, 684, 686, 704, 724, 734, 742, 758	VRS-CY1JF103J		10k 0.063W 5% Metal Oxide	AA
R206, 214, 216, 218, 222, 223, 227, 228, 229,	VRS-CY1JF563J		56k 0.063W 5% Metal Oxide	AA	R210 R211, 238, 239, 416, 419, 439, 441, 603, 811,	VRS-CY1JF163J VRS-CY1JF153J		16k 0.063W 5% Metal Oxide 15k 0.063W 5% Metal Oxide	AA AA

★ MARK : SPARE PARTS DELIVERY SECTION

Ref.No	Part No.	★	Description	Code	Ref. No.	Part No.	★	Description	Code
R842, 843	VRS-CY1JF153J		15k 0.063W 5% Metal Oxide	AA	R456, 680,	VRS-CY1JF822J		8.2k 0.063W 5% Metal Oxide	AA
R212	VRS-CY1JF224J		220k 0.063W 5% Metal Oxide	AA	810, 817				
R213, 243, 311, 431, 432, 435, 458, 502, 678, 679, 761	VRS-CY1JF473J		47k 0.063W 5% Metal Oxide	AA	R241, 267, 280, 292, 297, 447, 448, 467, 469, 472, 507, 602,	VRS-CY1JF222J		2.2k 0.063W 5% Metal Oxide	AA
R217	VRS-CY1JF394J		390k 0.063W 5% Metal Oxide	AA	705, 729, 730, 755, 849				
R224, 312, 318, 802	VRS-CY1JF683J		68k 0.063W 5% Metal Oxide	AA	R242, 316, 321, 330, 341, 451, 516, 669, 801, 814, 818, 820, 831, 833, 850, 853	VRS-CY1JF104J		100k 0.063W 5% Metal Oxide	AA
R226, 411, 485, 486, 759, 760, 762	VRS-CY1JF184J		180k 0.063W 5% Metal Oxide	AA	R244, 273, 429, 445, 518, 526, 532, 534, 541, 708, 711, 727, 735	VRS-CY1JF101J		100 0.063W 5% Metal Oxide	AA
R263, 272, 301, 302, 517, 852	VRS-CY1JF561J		560 0.063W 5% Metal Oxide	AA	R246, 279, 421	VRS-CY1JF681F		680 0.063W 1% Metal Oxide	AA
R233, 404	VRS-CY1JF331J		330 0.063W 5% Metal Oxide	AA	R249	VRS-CY1JF333F		33k 0.063W 1% Metal Oxide	AA
R234, 235, 337, 350, 351	VRS-CY1JF684J		680k 0.063W 5% Metal Oxide	AA	R250, 352, 504	VRS-CY1JF274J		270k 0.063W 5% Metal Oxide	AA
R236, 329, 346, 424, 457, 510, 656, 657, 703, 733, 736, 738, 813, 834, 838, 839, 840, 856	VRS-CY1JF562J		5.6k 0.063W 5% Metal Oxide	AA	R252, 257, 276,	VRS-CY1JF272J		2.7k 0.063W 5% Metal Oxide	AA
R237, 269,	VRS-CY1JF822J		8.2k 0.063W 5% Metal Oxide	AA					

Ref.No	Part No.	★	Description	Code	Ref.No.	Part No.	★	Description	Code
R283, 284, 468, 702, 722, 748	VRS-CY1JF272J		2.7k 0.063W 5% Metal Oxide	AA	R509, 747, 841	VRS-CY1JF122J		1.2k 0.063W 5% Metal Oxide	AA
R253, 277, 408	VRS-CY1JF112F		1.1k 0.063W 1% Metal Oxide	AA	R295, 540, 545, 837	VRS-CY1JF000J		00 0.063W 5% Metal Oxide	AA
R255, 422	VRS-CY1JF123F		12k 0.063W 1% Metal Oxide	AA	R305, 340, 827, 828	VRS-CY1JF823J		82k 0.063W 5% Metal Oxide	AA
R256	VRS-CY1JF512F		5.1k 0.063W 1% Metal Oxide	AA	R310	VRS-CY1JF513J		51k 0.063W 5% Metal Oxide	AA
R258	VRS-CY1JF132F		1.3k 0.063W 1% Metal Oxide	AA	R313, 317, 333, 425	VRS-CY1JF393J		39k 0.063W 5% Metal Oxide	AA
R259	VRS-CY1JF911F		910 0.063W 1% Metal Oxide	AA	R320, 342	VRS-CY1JF433J		43k 0.063W 5% Metal Oxide	AA
R264, 685, 746	VRS-CY1JF333J		33k 0.063W 5% Metal Oxide	AA	R332	VRS-CY1JF203J		20k 0.063W 5% Metal Oxide	AA
R265, 271, 281, 282, 415, 466, 709, 710, 720, 744, 745, 756, 757	VRS-CY1JF182J		1.8k 0.063W 5% Metal Oxide	AA	R336, 508, 723	VRS-CY1JF273J		27k 0.063W 5% Metal Oxide	AA
R270	VRS-CY1JF752F		7.5k 0.063W 1% Metal Oxide	AA	R338	VRS-CY1JF564J		560k 0.063W 5% Metal Oxide	AA
R274, 454, 505, 506	VRS-CY1JF152J		1.5k 0.063W 5% Metal Oxide	AA	R339	VRS-CY1JF113J		11k 0.063W 5% Metal Oxide	AA
R275	VRS-CYJF622F		6.2k 0.063W 1% Metal Oxide	AA	R402, 522, 542, 701	VRS-CY1JF471J		470 0.063W 5% Metal Oxide	AA
R286, 293, 515, 712	VRS-CY1JF821J		820 0.063W 5% Metal Oxide	AA	R405, 743	VRS-CY1JF681J		680 0.063W 5% Metal Oxide	AA
R287, 289, 291, 324, 327, 460, 461, 463, 465, 476, 477, 481, 482,	VRS-CY1JF122J		1.2k 0.063W 5% Metal Oxide	AA	R407, 453, 470, 473, 479, 537, 538, 721,	VRS-CY1JF332J		3.3k 0.063W 5% Metal Oxide	AA
					R410	VRS-CY1JF474J		470k 0.063W 5% Metal Oxide	AA
					R413, 440, 821, 844	VRS-CY1JF183J		18k 0.063W 5% Metal Oxide	AA
					R414	VRS-CY1JF112J		1.1k 0.063W 5% Metal Oxide	AA
					R420, 858	VRS-CY1JF154J		150k 0.063W 5% Metal Oxide	AA
					R423	VRS-CY1JF562F		5.6k 0.063W 1% Metal Oxide	AA
					R434, 438, 471, 474, 475, 530, 803,	VRS-CY1JF392J		3.9k 0.063W 5% Metal Oxide	AA

★ MARK : SPARE PARTS DELIVERY SECTION

Ref.No	Part No.	★	Description	Code	Ref. No.	Part No.	★	Description	Code
R816, 819, 826	VRS-CY1JF392J		3.9k 0.063W 5% Metal Oxide	AA	MISCELLANEOUS PARTS				
R462, 835	VRS-CY1JF432J		4.3k 0.063W 5% Metal Oxide	AA	P401, 901	QCNW-1077TAZZ QPLGN0460TAZZ		Connecting Cord Plug	AH AC
R464, 836	VRS-CY1JF472J		4.7k 0.063W 5% Metal Oxide	AA	P701	QPLGN1063TAZZ		Plug	AD
R489	VRS-CY1JF514J		510k 0.063W 5% Metal Oxide	AA	P702	QPLGN0960TAZZ		Plug	AD
R511	VRS-CY1JF133J		13k 0.063W 5% Metal Oxide	AA	P703	QCNCW2044TAZZ		Connector	AE
R512	VRS-CY1JF243J		24k 0.063W 5% Metal Oxide	AA	P704	QCNCW3044TAZZ		Connector	AF
R513	VRS-CY1JF752J		7.5k 0.063W 5% Metal Oxide	AA	P710	QPLGZ0090TAZZ		Plug	AB
R514, 543, 670	VRS-CY1JF221J		220 0.063W 5% Metal Oxide	AA	SW651	QSW-K0014CEZZ		Switch	AC
R661	RR-TZ0098GEZZ		Resistor	AA	S201	QS6CN0639TAZZ		Socket	AD
R666	VRS-CY1JF391J		390 0.063W 5% Metal Oxide	AA	S202	QS6CN1439TAZZ		Socket	AF
R725	VRS-CY1JF301F		300 0.063W 1% Metal Oxide	AA	CABINET PARTS				
R728	VRS-CY1JF122F		1.2k 0.063W 1% Metal Oxide	AA	TP201, 202, 203, 501, 502	LHLDP1018TA00 QLUGP0110TAFW		Holder Lug	AA AA
R737	VRS-CY1JF271J		270 0.063W 5% Metal Oxide	AA	DUNT2206PM01 A/F Board Ass'y				
R740	VRS-CY1JF391F		390 0.063W 1% Metal Oxide	AA	INTEGRATED CIRCUITS				
R741	VRS-CY1JF101F		100 0.063W 1% Metal Oxide	AA	IC1, 907, 909	VHiNJM2904M-1		NJM2904M	AE
R752	VRS-CY1JF334J		330k 0.063W 5% Metal Oxide	AA	IC901	RH-iX0121TAZZ		I.C.	AS
R815,	VRS-CY1JF225J		2.2M ohm 0.063W 5% Metal Oxide	AA	IC902	RH-iX0116TAZZ		LZ93G29	AY
R822	VRS-CY1JF105J		1.0M ohm 0.063W 5% Metal Oxide	AA	IC903	VHiMSM6219M-1		MSM6219MS-K	AP
R845, 846	VRS-CY1JF103F		10k 0.063W 1% Metal Oxide	AA	IC904	VHiLAG655F/-1		I.C.	AM
R848	VRS-CY1JF682F		6.8k 0.063W 1% Metal Oxide	AA	IC905	VHiMM1036F/-1		I.C.	AG
R851	VRS-CY1JF183F		18k 0.063W 1% Metal Oxide	AA	IC906, 910	VHiNJM2903M-1		NJM2903M	AF
R855	VRS-CY1JF332F		3.3k 0.063W 1% Metal Oxide	AA	IC908	VHiTC4053BF-1		TC4053BF	AG
R857	VRS-CY1JF822F		8.2k 0.063W 1% Metal Oxide	AA	TRANSISTORS				
					Q1, 2	VSXN4601///-1		XN4601	AB
					Q3	VS2SD2118//-1		2SD2118	AC
					Q4	VS2SB710RS/-1		2SB710	AB
					Q5, 913	VSUN9213///-1		UN9213	AA
					Q6, 904	VSXP6501///-1		Transistor	AB
					Q905, 906, 908, 911	VSXP4601///-1		Transistor	AB
					Q907, 912	VS2SC4617B/-1		Transistor	AA

★ MARK : SPARE PARTS DELIVERY SECTION

Ref.No	Part No.	★	Description	Code	Ref. No.	Part No.	★	Description	Code
R12, 944, 945	VRS-CY1JF221J		220 0.063W 5% Metal Oxide	AA	R931, 932, 933, 934, 946, 956, 982	VRS-CY1JF472J		4.7k 0.063W 5% Metal Oxide	AA
R13	VRS-TV1JD3R9J		3.9 0.063W 5% Metal Oxide	AA	R938,	VRS-CY1JF101J		100 0.063W 5% Metal Oxide	AA
R16, 978, 986	VRS-CY1JF273J		27k 0.063W 5% Metal Oxide	AA	955	VRS-CY1JF393F		39k 0.063W 1% Metal Oxide	AA
R17	VRS-TV1JD2R2J		2.2 0.063W 5% Metal Oxide	AA	R940, 941	VRS-CY1JF333F		33k 0.063W 1% Metal Oxide	AA
R18, 902	VRS-CY1JF182J		1.8k 0.063W 5% Metal Oxide	AA	R948	VRS-CY1JF222J		2.2k 0.063W 5% Metal Oxide	AA
R21	VRS-TV1JD222J		2.2k 0.063W 5% Metal Oxide	AA	R962, 963, 984	VRS-CY1JF271J		270 0.063W 5% Metal Oxide	AA
R24, 952, 953, 974, 975	VRS-CY1JF473J		47k 0.063W 5% Metal Oxide	AA	R972	VRS-CY1JF391J		390 0.063W 5% Metal Oxide	AA
R25, 911	VRS-CY1JF224J		220k 0.063W 5% Metal Oxide	AA	R973, 976	VRS-CY1JF563J		56k 0.063W 5% Metal Oxide	AA
R901	VRS-CY1JF134J		130k 0.063W 5% Metal Oxide	AA	R993	VRS-CY1JF154J		150k 0.063W 5% Metal Oxide	AA
R903, 964	VRS-CY1JF821J		820 0.063W 5% Metal Oxide	AA	R996	VRS-CY1JF513J		51k 0.063W 5% Metal Oxide	AA
R909, 947, 970, 983	VRS-CY1JF102J		1.0k 0.063W 5% Metal Oxide	AA					
R910, 991	VRS-CY1JF183J		18k 0.063W 5% Metal Oxide	AA	MISCELLANEOUS PARTS				
R912	VRS-CY1JF124J		120k 0.063W 5% Metal Oxide	AA	P601	QCNCW1844TAZZ		Connector Plug	AE
R913, 967	VRS-CY1JF123J		12k 0.063W 5% Metal Oxide	AA	P606	QPLGN0360TAZZ		Plug	AC
R914	VRS-CY1JF683J		68k 0.063W 5% Metal Oxide	AA	P705	QCNCM2040TAZZ		Connector	AD
R915, 916, 920, 927, 969	VRS-CY1JF152J		1.5k 0.063W 5% Metal Oxide	AA	P706	QCNCM3040TAZZ		Connector	AE
R917	VRS-CY1JF112J		1.1k 0.063W 5% Metal Oxide	AA	P708	QCNCM1440TAZZ		Connector	AD
R918	VRS-CY1JF471J		470 0.063W 5% Metal Oxide	AA	P709	QPLGN0860TAZZ		Plug	AD
R919	VRS-CY1JF822J		8.2k 0.063W 5% Metal Oxide	AA	CABINET PARTS				
R921, 922, 923	VRS-CY1JF911J		910 0.063W 5% Metal Oxide	AA	TP901, 902, 903, 904, 905	QLUGP0110TAFW		Lug	AA
R924, 935	VRS-CY1JF104J		100k 0.063W 5% Metal Oxide	AA					
R925, 995,	VRS-CY1JF000J		00 0.063W 5% Metal Oxide	AA					
R926	VRS-CY1JF332J		3.3k 0.063W 5% Metal Oxide	AA					
R930, 965	VRS-CY1JF392J		3.9k 0.063W 5% Metal Oxide	AA					

Ref.No	Part No.	★	Description	Code	Ref. No.	Part No.	★	Description	Code
DUNTK2207RA03 CAMERA OPERATION Board Ass'y					CAPACITORS				
MISCELLANEOUS PARTS					C1	VCFYHG1HA104J		0.1 μ F 50V Mylar	AB
P1	QCNCW1444TAZZ		Connector	AE	C3,	RC-EZ0191TAZZ		120 μ F 6.3V Electrolytic	AC
SW1	QSW-S0091TAZZ		Slid Switch	AC	7,				
SW2	QSW-S0189GEZZ		Slide Switch	AD	14				
SW3,	QSW-K0064GEZZ		Key Switch	AC	C4,	VCSAPD1CJ105M		1 μ F 16V Tantalum(N.P)	AC
4,					5				
5,					C6	VCKYCY1HB152K		1500pF 50V Ceramic	AA
6,					C8	RC-EZ0174TAZZ		22 μ F 16V Electrolytic	AB
7					C9	VCCCCY1HH101J		100pF 50V Ceramic	AA
CABINET PARTS					C10	VCSAPD1VJ334M		0.33 μ F 35V Tantalum(N.P)	AD
	RLCDD0003TAZZ			AM	C11	RC-EZ0151TAZZ		220 μ F 6.3V Electrolytic	AB
DUNTK2217PM00 V/F Y/C Board Ass'y					C12	RC-EZ0156TAZZ		10 μ F 63V Electrolytic	AB
INTEGRATED CIRCUITS					C13	RC-EZ0139TAZZ		47 μ F 6.3V Electrolytic	AB
IC1	VHiXRA7147F-1		I.C.(XRA7147F)	AK	△C15	RC-QZ0028TAZZ		3900pF 400V Mylar	AC
TRANSISTORS					C16	VCKYTQ1HB333K		0.33 μ F 50V Ceramic	AB
Q1	VS2SB792R//-1		2SB792	AD	△C17	RC-KZ0014TAZZ		1500pF 1kV Ceramic	AB
△Q2	VS2SD2115L/-1		2SD2115	AE	△C18	VCKYPA2HB152K		1500pF 500V Ceramic	AA
DIODES					RESISTORS				
D1,	VHDMA152K//1E		Diode	AC	R1	VRS-CY1JF243F		24k 0.063w 1% Metal Oxide	AA
2					R2	VRS-TQ2BD330J		33 1/8W 5% Metal Oxide	AA
D3	VHDMA151K//1		Diode	AB	R5	VRS-CY1JF393J		39k 0.063W 5% Metal Oxide	AA
△D4	RH-DX0066GEZZ		Diode	AB	R6	VRS-CY1JF394J		390k 0.063W 5% Metal Oxide	AA
△D5	RH-DX0169TAZZ		Diode	AC	R7	VRS-CY1JF104J		100k 0.063W 5% Metal Oxide	AA
COIL AND TRANSFORMERS					R10	VRS-CY1JF162F		1.6k 0.063W 1% Metal Oxide	AA
△L2	RCiLZ0271TAZZ		Coil	AF	R11	VRS-CY1JF362F		3.6k 0.063W 1% Metal Oxide	AA
L3	RCiLP0090TAZZ		Coil	AD	R12	VRS-CY1JF102J		1.0k 0.063W 5% Metal Oxide	AA
△T1	RTRNF1850CEZZ		Transformer	AU	R14	VRS-TV1JD3R9J		3.9 0.063W 5% Metal Oxide	AA
CONTROLS					R15	VRS-CY1JF564J		560k 0.063W 5% Metal Oxide	AA
R8	RVR-M7803TAZZ		Variable Resistor	AC	R16	VRS-CY1JF563J		56k 0.063W 5% Metal Oxide	AA
R13	RVR-M7789TAZZ		Variable Resistor	AC	R17	VRS-CY1JF392J		3.9k 0.063W 5% Metal Oxide	AA
R22	RVR-M4042GEZZ		Variable Resistor	AD	△R18	VRS-TQ2BD561J		560 0.1/8W 5% Metal Oxide	AA
△R27	RVR-M8019TAZZ		Variable Resistor	AD	R19	VRS-CY1JF223J		22k 0.063W 5% Metal Oxide	AA
					R21	VRS-CY1JF105J		1.0M 0.063W 5% Metal Oxide	AA
					R23	VRS-CY1JF124J		120k 0.063W 5% Metal Oxide	AA
					R24	VRS-CY1JF331J		330 0.063W 5% Metal Oxide	AA
					R26	VRS-CY1JF2R2J		2.2 ohm 0.063W 5% Metal Oxide	AA

★ MARK : SPARE PARTS DELIVERY SECTION

Ref.No	Part No.	★	Description	Code	Ref. No.	Part No.	★	Description	Code
△R28, △ 29 △R30	VRS-TQ2BD125J VRS-TQ2BD565J		1.2M 1/8W 5% Metal Oxide 5.6M 1/8W 5% Metal Oxide	AA AA	Q303, 304, 305, 307 Q801, 808, 810 Q802, 806, 807, 812, 903 Q803 Q804 Q811 Q813 Q818, 930 Q912, 913 Q920 Q921, 941 Q931 Q933 Q934, Q936 Q940 Q960 Q3301, 3302	VS2SC2059KN1E VSRN2304///-1 VSXN6501///-1 VSUN2111///-1 VS2SB1218A/-1 VSUN2211///-1 VS2SD1819A/-1 VSiMD2/////1 VSSAH02////-1 VS2SB956Q//1 VSFMY1/////1 VSFMC5/////1 VS2SA1577R/-1 VS2SC4081R/-1 VSXN4402///-1 VS2SA1213Y/-1 VS2SD1757KS-1 VS2SA1037KQ-1		2SC2059K XN6501 UN2111 2SB1218A UN2211 2SD1819A IMD2 Transistor Transistor FMY1 Transistor 2SA1577 2SC4081 XN4402-(TX) 2SA1213 2SD1757K 2SA1037K	AC AA AA AA AA AC AC AE AC AB AB AB AA AC AD AC AA
MISCELLANEOUS PARTS									
△ P1 △	QCNW-1009TAZZ QPLGN0420REZZ VB01KGG007W#N RCiLH1695CEZZ		Connecting Cord Plug Picture Tube Deflection Yoke	AG AA BG AR					
CABINET PARTS									
	QPWBH2223TAZZ		Printed Wiring Board	AM					
DUNTK3436HE01 SYSTEM CONTROL Board Ass'y									
INTEGRATED CIRCUITS									
IC301 IC701 IC702 IC801 IC802 IC803 IC804 IC805 IC806 IC807 IC808 IC809 △IC901 IC902	VHiH118042A-1 VHiTA7262F/-1 VHiLB1617M/-1 RH-iX0958GEZZ VHiUPD6460G-1 VHiRTC4533/-1 VHiR3P94//1 VHiTA7291F/-1 RH-iX0955GEZZ VHiNJM2902M-1 VHiPST529DM-1 VHiS81250HG-1 VHiTL1451AC-1 VHiNJM2403M-1		HA118042MA TA7262F LB1617ohm UPD78134GF-015 UPD6460GT-101 RTC-4533 IR3P94 TA7291F MC74HC4049F NJM2902M PST529D S-81250HG-RD-T TL1451ACNS NJM2403M	AR AP AN BA AS AQ AM AK AD AF AE AF AN AX					
TRANSISTORS									
Q301, 805, 816, 3303 Q302, 306, 809, 935	VSUN5213///-1 VSRN1504///-1		UN5213-TX	AA AB					
DIODES AND LED'S									
D701, 702 D801, 813 D802 D803, 804, 807, 810, 812, D917, 921, 923 D805 D811, 924 D920 D940	RH-PX0122GEZZ VH DMA157///-1 VHDDAN202K/-1 VHDDAN202U/-1 VHDDAN202U/-1 RH-EX0464GEZZ VHDDAP202U/-1 VHDSFPB64//2E VHDSFPB54//2E		GP2S09BC MA157 DAN202K DAN202U DAN202U UTZL07-C3 DAP202U SFPB-64 SFPB-54	AG AB AB AB AA AA AC AC					

Ref.No	Part No.	★	Description	Code	Ref. No.	Part No.	★	Description	Code
PACKAGED CIRCUITS					C312,	VCKYTV1EB223K		0.022 μ F 25V Ceramic	AB
X801	RCRSB0100GEZZ		Crystal	AG	316,				
COIL AND TRANSFORMERS					319,				
L301,	VP-1M101K7R7N		Peaking 100 μ H 10%	AC	324,				
303,					329,				
304,					331,				
305,					332				
306,					C305	VCEAP0JW106M		10 μ F 6.3V Electrolytic	AB
3301					C308,	VCSAPD1CJ105M		1.0 μ F 16V Tantalum, (N.P)	AC
L302,	VP-WM101K3R5N		Peaking 100 μ H 10%	AB	309,				
923,					310,				
924					313,				
L802,	VP-NM101K4R2N		Peaking 100 μ H 10%	AC	318,				
804,					322,				
806					326,				
L803	VP-1M560J6R2N		Peaking 56 μ H 5%	AC	327				
L811	VP-1M220K2R9N		Peaking 22 μ H 10%	AC	C311,	VCKYCYCF104Z		0.1 μ F 16V Ceramic	AA
L910,	RCiLP0122TAZZ		Coil	AE	317,				
918					320,				
L919,	RCiLP0134TAZZ		Coil	AG	323,				
920					333,				
L921,	VP-WM470K1R3N		Peaking 47 μ H 10%	AB	334,				
922					335,				
△L930	RCiLP0135TAZZ		Coil	AG	336,				
L931,	RCiLP0125TAZZ		Coil	AE	828,				
940					830,				
L932	VP-1M3R9M1R0N		Peaking 3.9 μ H 20%	AC	831,				
L3302	VP-1M120K1R9N		Peaking 12 μ H 10%	AC	845,				
△T901	RTRNZ0044TAZZ		Transformer	AK	847,				
CONTROLS					852,				
R803,	RVR-M7901TAZZ		Variable Resistor	AC	952,				
837					3301				
R929,	RVR-M7895TAZZ		Variable Resistor	AC	C314,	VCCCC1HH390J		39pF 50V Ceramic	AA
946					315,				
CAPACITORS					321,				
C301,	VCKYCY1CF473Z		0.047 μ F 16V Ceramic	AA	325				
306,					C328	VCEAPE1CW106M		10 μ F 16V Electrolytic	AB
701,					C704,	VCSAPD1CJ155M		1.5 μ F 16V Tantalum, (N.P)	AC
702,					705,				
703					706				
C302,	VCEAPC0JW226M		22 μ F 6.3V Electrolytic	AC	C707,	VCKYCY1EF223Z		0.022 μ F 25V Ceramic	AA
330,					708,				
804,					709,				
807,					850,				
834,					925				
C303,	VCKYTV1EB223K		0.022 μ F 25V Ceramic	AB	C710,	VCKYTV1CF224Z		0.22 μ F 16V Ceramic	AB
304,					711,				
307,					712,				
					939				
					C713	VCKYTV1HF103Z		0.01 μ F 50V Ceramic	AA
					C714,	VCKYCY1HF103Z		0.01 μ F 50V Ceramic	AA
					C715,	VCKYCY1HF103Z		0.01 μ F 50V Ceramic	AA
					801,				
					803,				
					813,				
					814,				
					815,				
					816,				
					817,				
					818,				
					822,				

★ MARK : SPARE PARTS DELIVERY SECTION

Ref.No	Part No.	★	Description	Code	Ref. No.	Part No.	★	Description	Code
C824, 825, 835, 846, 851, 904, 905, 3303, 3307	VCKYCY1HF103Z		0.01 μ F 50V Ceramic	AA	C3305, 3308 C3306	VCCCCY1HH121J VCCCCY1HH470J		120pF 50V Ceramic 47pF 50V Ceramic	AA AA
VARIABLE CAPACITORS									
C802, 810, 811, 812, 827, 836, 838, 842, 843, 926, 942	VCKYCY1HB102K		1000pF 50V Ceramic	AA	C806	RT6-H0033TAZZ		Trimmer Capacitor	AD
RESISTORS									
C805, C808, 823, 829, 841	VCCCCY1HH330J VCKYTQ1CF105Z		33pF 50V Ceramic 1.0 μ F 16V Ceramic	AA AC	R301, 862 R302, 702, 816, 829, 874, 894, 895, 896, 897, 898, 899, 921, 927, 941, 948, 8003	VRS-CY1JF123J VRS-CY1JF103J		12k 0.063W 5% Metal Oxide 10k 0.063W 5% Metal Oxide	AA AA
C819, 820	VCCCCY1HH220J		22pF 50V Ceramic	AA	R303, 866, 872, 873, 881, 882, 885, 886, 972, 8004	VRS-CY1JF104J		100k 0.063W 5% Metal Oxide	AA
C821, 901	VCEAPC0JW107M		100 μ F 6.3V Electrolytic	AC	R304, 305, 310, 313, 316, 714	VRS-CY1JF331J		330 0.063W 5% Metal Oxide	AA
C826, C832	VCKYCY1HB332K VCE9PC1CW106M		3300pF 50V Ceramic 10 μ F 16V Electrolytic, (N.P)	AA AC	R314	VRS-CY1JF100J		10 0.063W 5% Metal Oxide	AA
C833, C837, C840	VCEAPC1HW105M VCKYCY1HB471K VCE9PC0JW106M		1.0 μ F 50V Electrolytic 470pF 50V Ceramic 10 μ F 6.3V Electrolytic, (N.P)	AB AA AC	R320, 321, 322, 323, 330, 332, 334, 336, 924	VRS-CY1JF182J		1.8k 0.063W 5% Metal Oxide	AA AA
C853	VCCCCY1HH271J		270pF 50V Ceramic (VL-C790S, H)	AA					
C854, C903, 3302	VCKYCY1EB103K VCEAPC1CW106M		0.01 μ F 25V Ceramic 10 μ F 16V Electrolytic	AA AB					
△C911, C920, C921, C922, 923	RC-EZ0117GEZZ VCKYCY1HB472K RC-EZ0199TAZZ RC-EZ0110TAZZ		15 μ F 16V Electrolytic 4700pF 50V Ceramic 56 μ F 16V Electrolytic 100 μ F 16V Electrolytic	AE AA AC AC					
C924, C940, C941	VCCCCY1HH181J VCKYCY1HB682K VCKYTV1EF104Z		180pF 50V Ceramic 6800pF 50V Ceramic 0.1 μ F 25V Ceramic	AA AA AB					
△C943, C944, C945, 946	RC-EZ0192TAZZ RC-EZ0192TAZZ VCEAPC1VW226M		56 μ F 16V Electrolytic 56 μ F 16V Electrolytic 22 μ F 35V Electrolytic	AC AC AC					
C947, 948	VCEAPC1VW106M		10 μ F 35V Electrolytic	AB					
△C950, C951, C954	RC-EZ0191TAZZ RC-EZ0151TAZZ VCSAPD0JJ225M		120 μ F 6.3V Electrolytic 220 μ F 6.3V Electrolytic 2.2 μ F 6.3V Tantalum, (N.P)	AC AB AD					
C3304	VCCCCY1HH101J		100pF 50V Ceramic	AA					

Ref.No	Part No.	★	Description	Code	Ref. No.	Part No.	★	Description	Code
R331, 333, 335, 337, 870, 877, 925	VRS-CY1JF332J		3.3k 0.063W 5% Metal Oxide	AA	R822, 827, 828, 834, 857, 922, 923, 942, 943	VRS-CY1JF333J		33k 0.063W 5% Metal Oxide	AA
R701, 802	VRS-CY1JF222J		2.2k 0.063W 5% Metal Oxide	AA	R823, 863	RR-SZ0117TAZZ		Resistor	AB
R706	VRS-CY1JF680J		68 0.063W 5% Metal Oxide	AA	R835, 3301	VRS-CY1JF822J		8.2k 0.063W 5% Metal Oxide	AA
R707	VRS-CY1JF820J		82 0.063W 5% Metal Oxide	AA	R839	RR-SZ0110TAZZ		Resistor	AB
R708	VRS-CY1JF273J		27k 0.063W 5% Metal Oxide	AA	R843	VRS-CY1JF220J		22 0.063W 5% Metal Oxide	AA
R709, 710, 711	VRS-TV1JD2R2J		2.2 0.063W 5% Metal Oxide	AA	R851	VRS-CY1JF823J		82k 0.063W 5% Metal Oxide	AA
R712, 910, 919, 3303	VRS-CY1JF391J		390 0.063W 5% Metal Oxide	AA	R852	VRS-CY1JF682J		6.8k 0.063W 5% Metal Oxide	AA
R801, 853, 856, 883, 887	VRS-CY1JF683J		68k 0.063W 5% Metal Oxide	AA	R854	VRS-CY1JF184J		180k 0.063W 5% Metal Oxide	AA
R804, 819, 8001, 8002	VRS-CY1JF473J		47k 0.063W 5% Metal Oxide (VL-C790X) (VL-C790S.H) (VL-C7450E)	AA	R855	VRS-CY1JF394J		390k 0.063W 5% Metal Oxide	AA
R805, 3304	VRS-CY1JF471J		470 0.063W 5% Metal Oxide	AA	R860	VRS-CY1JF682F		6.8k 0.063W 1% Metal Oxide	AA
R806, 871, 876, 914, 917	VRS-CY1JF102J		1.0k 0.063W 5% Metal Oxide	AA	R861	VRS-CY1JF153F		15k 0.063W 1% Metal Oxide	AA
R807, 926, 949	VRS-CY1JF821J		820 0.063W 5% Metal Oxide	AA	R864, 880, 950	VRS-CY1JF223J		22 0.063W 5% Metal Oxide	AA
R808	VRS-CY1JF334J		330k 0.063W 5% Metal Oxide	AA	R867	VRS-CY1JF274J		270k 0.063W 5% Metal Oxide	AA
R809, 813, 830	RR-SZ0111TAZZ		Resistor	AB	R875	VRS-CY1JF105J		1.0ohm 0.063W 5% Metal Oxide	AA
R818, 858, 891, 951, 3302	VRS-CY1JF393J		39k 0.063W 5% Metal Oxide	AA	R878, 879, 8005	VRS-CY1JF221J		220 0.063W 5% Metal Oxide	AA
R820	VRS-CY1JF224J		220k 0.063W 5% Metal Oxide	AA	R884, 888	VRS-CY1JF124J		120k 0.063W 5% Metal Oxide	AA
R821, 971	VRS-CY1JF122J		1.2k 0.063W 5% Metal Oxide	AA	R889	RR-TZ0002TAZZ		Resistor	AA
R821, 838, 865	VRS-CY1JF000J		00 0.063W 5% Metal Oxide (VL-C790X) (VL-C790S.H) (VL-C7450E) (VL-C790H)	AA	R892	VRS-CY1JF564J		560k 0.063W 5% Metal Oxide	AA
					R902, 944	VRS-CY1JF183J		18k 0.063W 5% Metal Oxide	AA
					R909, 912, 928	VRS-CY1JF272J		2.7k 0.063W 5% Metal Oxide	AA
					R911, 920	VRS-TV1JD102J		1.0k 0.063W 5% Metal Oxide	AA
					R913	VRS-TQ2BD100J		10 1/8W 5% Metal Oxide	AA
					R915, 916, 947, 970	VRS-CY1JF152J		1.5k 0.063W 5% Metal Oxide	AA
					R930, 940	VRS-CY1JF474J		470k 0.063W 5% Metal Oxide	AA

★ MARK : SPARE PARTS-DELIVERY SECTION

Ref.No	Part No.	★	Description	Code	Ref. No.	Part No.	★	Description	Code
R945	VRS-CY1JF242J		2.4k 0.063W 5% Metal Oxide	AA	SCREWS, NUTS, WASHERS AND WIRE HOLDER				
R961	VRS-CY1JF561J		560 0.063W 5% Metal Oxide	AA		PSPAZ0034TA00		Spacer	AA
R971	VRS-CY1JF122J		1.2k 0.063W 5% Metal Oxide	AA	DUNTK3437HE03 SIGNAL Board Ass'y				
R3305	VRS-TV1JD4R7J		4.7 0.063W 5% Metal Oxide	AA	INTEGRATED CIRCUITS				
					IC201	VHiAN3551FA-1		I.C	AV
					IC202	VHiNJM2249M-1		NJM2249M	AE
					IC401	VHiTA8607F/-1		TA8607F	AN
					IC402	VHiNJM2228M-1		NJM2228M	AH
					IC403	VHiTL8809F/-1		TL8809F	AH
					IC501	VHiH118059F-1		HA118059FP	AG
					IC601	VHiBA7757BK-1		BA7757BK	AL
					IC602, 630	VHiNJM4558M-1		NJM4558M	AC
					IC2201	VHiAN3580SB-1		AN3580SB	AL
MISCELLANEOUS PARTS					TRANSISTORS				
	PSLDM4295GEFW		Shield	AB	Q201	VSXN6501///-1		XN6501	AB
	PSLDM4296GEFW		Shield	AB	Q401, 403, 404, 410, 506	VS2SD1819A/-1		2SD1819A	AB
	PSLDM4297GEFW		Shield	AB	Q402	VSXN4601///-1		XN4601	AB
	PSLDM4299GEFW		Shield	AB	Q415	VSXN1212///-1		XN1212	AB
	PSLDM4300GEFW		Shield	AB	Q503, 505, 507, 2202	VSUN5213///-1		UN5213-TX	AA
P1, 2, 22	QPLGN0460TAZZ		Plug	AC	Q502	VS2SB1218A/-1		2SB1218A	AA
P3	QPLGN0263TAZZ		Plug	AB	Q601	VSFMW3/////1		FMW3	AB
P4, 23	QPLGN0463TAZZ		Plug	AC	Q602	VSRN2304///-1		RN2304	AA
P8	QCNCM1239TAZZ		Connector	AF	Q603	VSRN1504///-1		RN1504	AB
P9	QCNCM1839TAZZ		Connector	AH	Q691	VSXN4381///-1		Transistor	AC
P10	QCNCM2239TAZZ		Connector	AK	Q692	VS2SD1484KR-1		2SD1484K	AB
P11	QPLGN1063TAZZ		Plug	AD	DIODES AND LED'S				
P21	QPLGN0360TAZZ		Plug	AC	D503	VHDDAN202U/-1		DAN202U	AA
SC1	QCNCW1643TAZZ		Connector	AE	△D925	VHDSFPB64//2E		SFPB-64	AC
SC5	QSδCN1436TAZZ		Socket	AE	D2201	VHDMA157///-1		MA157	AB
SC6	QSδCN1438TAZZ		Socket	AE	PACKAGED CIRCUITS				
SC7	QSδCN1238TAZZ		Socket	AD	X501	RCRSB0118GEZZ		Crystal	AH
S12	QCNCW1243TAZZ		Connector	AD	COIL AND TRANSFORMERS				
CABINET PARTS					DL501	RCiLZ0312GEZZ		Coil	AM
TP802	LHLZ1711GE00		Holder	AB	SCREWS, NUTS, WASHERS AND WIRE HOLDER				
	QLUGP0110TAFW		Lug	AA	DUNTK3437HE03 SIGNAL Board Ass'y				

Ref.No	Part No.	★	Description	Code	Ref. No.	Part No.	★	Description	Code
FL501	RCiLV0073GEZZ		Coil	AH	C430,	VCKYCY1HF103Z		0.01 μ F 50V Ceramic	AA
FL502	RCiLV0042GEZZ		Coil	AF	431,				
L202,	VP-WM101K3R5N		Peaking 100 μ H 10%	AB	436,				
401,					437,				
410,					441,				
504,					444,				
690,					447,				
2201					501,				
L203	VP-1M680J6R9N		Peaking 68 μ H 5%	AC	502,				
L205	VP-1M820K7R7N		Peaking 82 μ H 10%	AC	505,				
L207,	VP-1M390K4R9N		Peaking 39 μ H 10%	AC	506,				
414					509,				
L208,	VP-1M181K130N		Peaking 180 μ H 10%	AC	510,				
413					511,				
L402	VP-1M101J7R7N		Peaking 100 μ H 5%	AC	516,				
L403	VP-1M150K2R2N		Peaking 15 μ H 10%	AC	518,				
L411	VP-1M100K1R6N		Peaking 6 μ H 10%	AC	519,				
L502	VP-6M150KR45N		Peaking 15 μ H 10%	AC	529,				
L506	VP-1M221K170N		Peaking 220 μ H 10%	AC	531,				
L601	VP-JM472J620N		Peaking 4700 μ H 5%	AD	533,				
L602	VP-WM221K8R4N		Peaking 220 μ H 10%	AB	541,				
T690	RTRNH0078GEZZ		OSC. Transformer	AF	2207,				
CONTROLS					2217,				
					2218				
R207,	RVR-M7903TAZZ		Variable Resistor	AC	C206,	VCEAPC1VW475M		4.7 μ F 35V Electrolytic	AB
216,					213,				
222,					405,				
415					522,				
R225,	RVR-M7899TAZZ		Variable Resistor	AC	525,				
226,					527,				
517					616				
R228,	RVR-M7897TAZZ		Variable Resistor	AC	C208,	VCEAPC0JW476M		47 μ F 6.3V Electrolytic	AC
408					435,				
R513	RVR-M7893TAZZ		Variable Resistor	AC	611,				
R651	RVR-M7901TAZZ		Variable Resistor	AC	2206				
R694	RVR-M7904TAZZ		Variable Resistor	AC	C210	VCEAPC1AW336M		33 μ F 10V Electrolytic	AC
CAPACITORS					C211,	VCKYCY1EB822K		8200pF 25V Ceramic	AA
C201,	VCKYTQ1CF105Z		1.0 μ F 16V Ceramic	AC	524				
406,					C212,	VCCCCY1HH180J		18pF 50V Ceramic	AA
409					448,				
C202,	VCKYCY1HF103Z		0.01 μ F 50V Ceramic	AA	C214,	VCCCCY1HH820J		82pF 50V Ceramic	AA
203,					412				
204,					C216,	VCCCCY1HH181J		180pF 50V Ceramic	AA
207,					C218,	VCKYCY1HB122K		1200pF 50V Ceramic	AA
209,					630				
215,					C220	VCKYCY1CF473Z		0.047 μ F 16V Ceramic	AA
217,					C223,	VCCCCY1HH151J		150pF 50V Ceramic	AA
219,					632				
221,					C224,	VCCCCY1HH331J		330pF 50V Ceramic	AA
222,					226,				
227,					440				
401,					C225,	VCCCCY1HH470J		47pF 50V Ceramic	AA
404,					513,				
408,					634				
410,					C228	VCCCCY1HH121J		120pF 50V Ceramic	AA
417,					C402,	VCKYTV1EB223K		0.022 μ F 25V Ceramic	AB
					528				
					C403	VCCCCY1HH150J		15pF 50V Ceramic	AA
					C407,	VCKYTQ1CF474Z		0.47 μ F 16V Ceramic	AB
					415,				
					416				

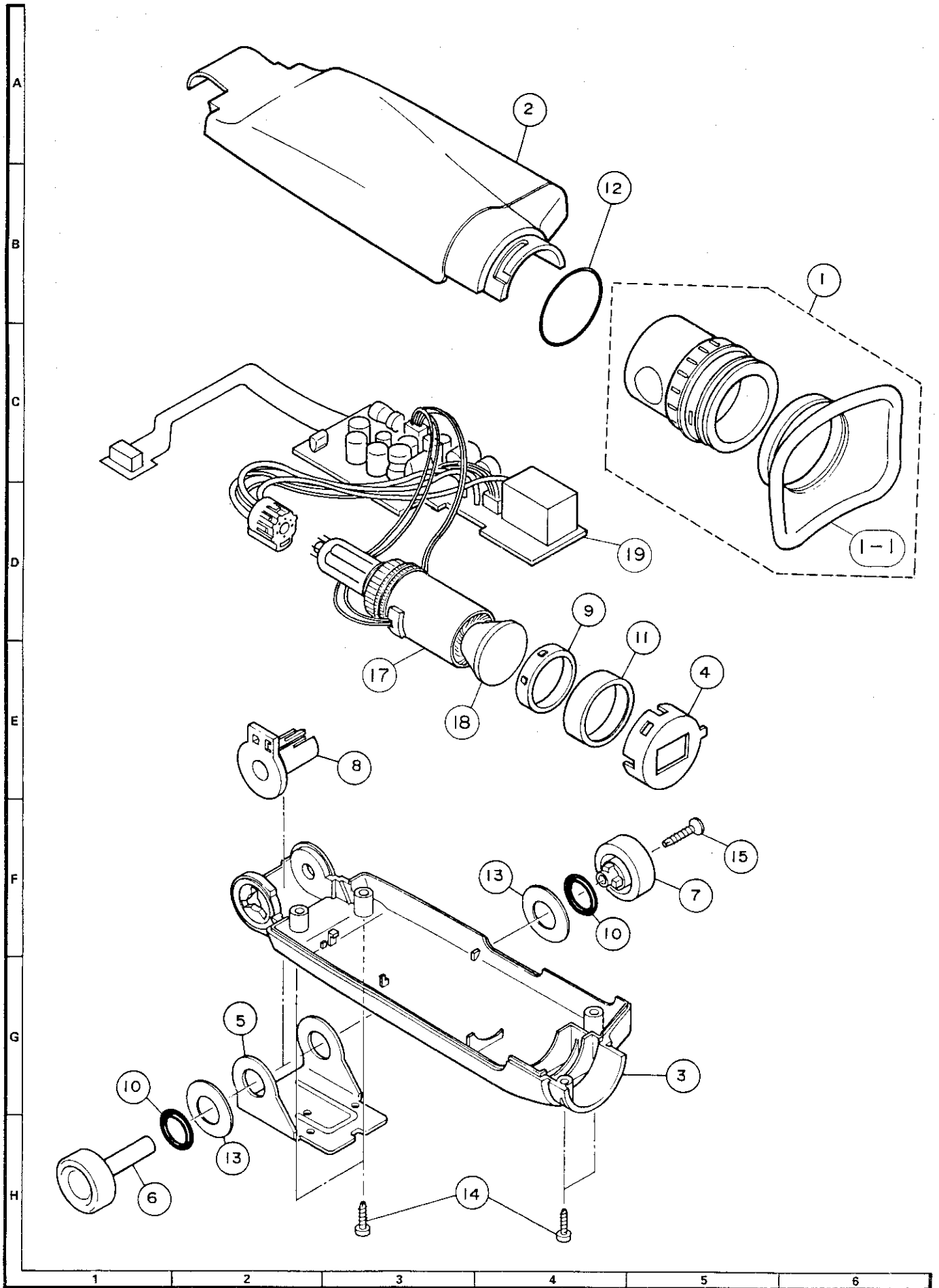
★ MARK : SPARE PARTS-DELIVERY SECTION

Ref.No	Part No.	★	Description	Code	Ref. No.	Part No.	★	Description	Code
C411, 601, 607, 614, 618, 622	VCEAPC0JW226M		22 μ F 6.3V Electrolytic	AC	C2220	VCEAPC0GW227M		220 μ F 4.0V Electrolytic	AC
VARIABLE CAPACITOR									
C413, 418, 419, 530	VCCCCY1HH220J		22pF 50V Ceramic	AA	C539	RT δ -H0033TAZZ		Trimmer Capacitor	AD
C414, 613, 695, 2205, 2216,	VCEAPC1CW106M		10 μ F 16V Electrolytic	AB	RESISTORS				
C420, 537	VCKYCY1HB102K		1000pF 50V Ceramic	AA	RJ601, 232, 449,	VRS-CY1JF000J		00 0.063W 5% Metal Oxide	AA
C438, 523	VCCCCY1HH101J		100pF 50V Ceramic	AA	533, 534				
C445, 504, 605, 623, 624	VCEAPC1HW105M		1.0 μ F 50V Electrolytic	AB	R202	VRS-TV1JD472F		4.7k 0.063W 1% Metal Oxide	AA
C446	VCCCCY1HH390J		39pF 50V Ceramic	AA	R203, 204	VRS-TV1JD562F		5.6k 0.063W 1% Metal Oxide	AA
C507	VCKYTV1CF474Z		0.47 μ F 16V Ceramic	AB	R205	VRS-TV1JD682F		6.8k 0.063W 1% Metal Oxide	AA
C508	VCEAPE0JW106M		10 μ F 6.3V Electrolytic	AB	R206, 208,	VRS-CY1JF103J		10k 0.063W 5% Metal Oxide	AA
C517, 521	VCKYTV1EB333K		0.033 μ F 25V Ceramic	AA	402, 414, 416,				
C520	RC-EZ0191TAZZ		120 μ F 6.3V Electrolytic	AC	469, 470,				
C532	VCEAPC1HW224M		0.22 μ F 50V Electrolytic	AB	524, 602,				
C534, 542	VCCCCY1HH4R0C		4.0pF 50V Ceramic	AA	610, 614, 622				
C535	VCCCCY1HH271J		270pF 50V Ceramic	AA	R209	VRS-CY1JF225J		2.2M 0.063W 5% Metal Oxide	AA
C540	VCCCCY1HH680J		68pF 50V Ceramic	AA	R210	VRS-CY1JF224J		220k 0.063W 5% Metal Oxide	AA
C602	VCKYCY1HB332K		3300pF 50V Ceramic	AA	R212,	VRS-CY1JF103J		10k 0.063W 5% Metal Oxide	AA
C603	VCCSTV1HL471J		470pF 50V Ceramic	AA	213, 217,				
C604, 633	VCKYCY1HB392K		3900pF 50V Ceramic	AA	402, 414, 416, 469,				
C608, 691, 692	VCKYCY1EB103K		0.01 μ F 25V Ceramic	AA	470, 524, 525, 540,				
C609	VCEAPC1EW336M		33 μ F 25V Electrolytic	AB	602, 610, 614, 622				
C610	VCKYDQ1CR104K		0.1 μ F 16V Ceramic	AB	R214,	VRS-CY1JF222J		2.2k 0.063W 5% Metal Oxide	AA
C612, 615	VCEAPC0GW476M		47 μ F 4.0V Electrolytic	AB	515, 518, 8853				
C617, 631	VCKYCY1HB272K		2700pF 50V Ceramic	AA					
C619, 620	VCKYTV1EB473K		0.047 μ F 25V Ceramic	AB					
C621, 694	VCCCCY1HH221J		220pF 50V Ceramic	AA					
C625	VCKYDV1HB102K		1000pF 50V Ceramic	AA					
C626	VCKYCY1HB152K		1500pF 50V Ceramic	AA					
C635	VCKYCY1CF104Z		0.1 μ F 16V Ceramic	AA					
C690	VCEAPL1CN106M		10 μ F 16V Electrolytic	AC					
C693	VCQRBG2AA153J		0.015 μ F 100V	AC					
C935	RC-EZ0176TAZZ		170 μ F 14V Electrolytic	AB					
C953	VCKYTV1EF104Z		0.1 μ F 25V Ceramic	AB					
C960	VCEAPC1CW476M		47 μ F 16V Electrolytic	AC					
C2204,	VCEAPC0GW227M		220 μ F 4.0V Electrolytic	AC					

Ref.No	Part No.	★	Description	Code	Ref. No.	Part No.	★	Description	Code
R215	VRS-CY1JF183J		18k 0.063W 5% Metal Oxide	AA	R409, 535	VRS-CY1JF104J		100k 0.063W 5% Metal Oxide	AA
R218,	VRS-CY1JF221J		220 0.063W 5% Metal Oxide	AA	R412, 417, 502, 527, 2230, 8851	VRS-CY1JF122J		1.2k 0.063W 5% Metal Oxide	AA
R219, 536	VRS-CY1JF911J		910 0.063W 5% Metal Oxide	AA	R418, 440	VRS-CY1JF331J		330 0.063W 5% Metal Oxide	AA
R220, 231, 236, 293, 406, 413, 420, 443, 501, 511, 526, 532, 542, 603	VRS-CY1JF102J		1.0k 0.063W 5% Metal Oxide	AA	R419, 628, 2210, 2211	VRS-CY1JF471J		470 0.063W 5% Metal Oxide	AA
R221, 229, 621, 692	VRS-CY1JF223J		22k 0.063W 5% Metal Oxide	AA	R422, 450, 537	VRS-CY1JF332J		3.3k 0.063W 5% Metal Oxide	AA
R223,	VRS-CY1JF392J		3.9k 0.063W 5% Metal Oxide	AA	R441, 604, 607, 617	VRS-CY1JF333J		33k 0.063W 5% Metal Oxide	AA
R227	VRS-CY1JF682J		6.8k 0.063W 5% Metal Oxide	AA	R448, 608, 2227	VRS-CY1JF681J		680 0.063W 5% Metal Oxide	AA
R230, 410, 442, 620	VRS-CY1JF563J		56k 0.063W 5% Metal Oxide	AA	R456, 637, 2228	VRS-CY1JF821J		820 0.063W 5% Metal Oxide	AA
R233, 405, 2229	VRS-CY1JF391J		390 0.063W 5% Metal Oxide	AA	R503	VRS-CY1JF271J		270 0.063w 5% Metal Oxide	AA
R234	VRS-CY1JF562J		5.6k 0.063W 5% Metal Oxide	AA	R504, 512, 531	VRS-CY1JF473J		47k 0.063W 5% Metal Oxide	AA
R235, 421, 454, 463, 505, 623, 8852	VRS-CY1JF152J		1.5k 0.063W 5% Metal Oxide	AA	R516, 606	VRS-CY1JF272J		2.7k 0.063W 5% Metal Oxide	AA
R237, 423, 452, 538, 605	VRS-CY1JF182J		1.8k 0.063W 5% Metal Oxide	AA	R519	VRS-CY1JF513J		51k 0.063W 5% Metal Oxide	AA
R238, 403, 411, 468, 523, 611, 613, 618, 619, 626	VRS-CY1JF472J		4.7k 0.063W 5% Metal Oxide	AA	R520	VRS-CY1JF621J		620 0.063W 5% Metal Oxide	AA
R407	VRS-CY1JF511J		510 0.063W 5% Metal Oxide	AA	R521, 612, 522	VRS-CY1JF273J		27k 0.063W 5% Metal Oxide	AA
					R601, 695, 696	VRS-TV1JD000J		00 0.063W 5% Metal Oxide	AA
					R609	VRS-CY1JF100J		10 0.063W 5% Metal Oxide	AA
					R615, 627	VRS-CY1JF274J		270k 0.063W 5% Metal Oxide	AA
					R616	VRS-CY1JF123J		12k 0.063W 5% Metal Oxide	AA
					R624	VRS-CY1JF105J		1.0ohm 0.063W 5% Metal Oxide	AA
					R625	VRS-CY1JF121J		120 0.063W 5% Metal Oxide	AA
					R630, 632, 634	VRS-CY1JF301J		300 0.063W 5% Metal Oxide	AA
					R631	VRS-CY1JF333F		33k 0.063W 1% Metal Oxide	AA
						VRS-CY1JF303F		30k 0.063W 1% Metal Oxide	AA

★ MARK : SPARE PARTS DELIVERY SECTION

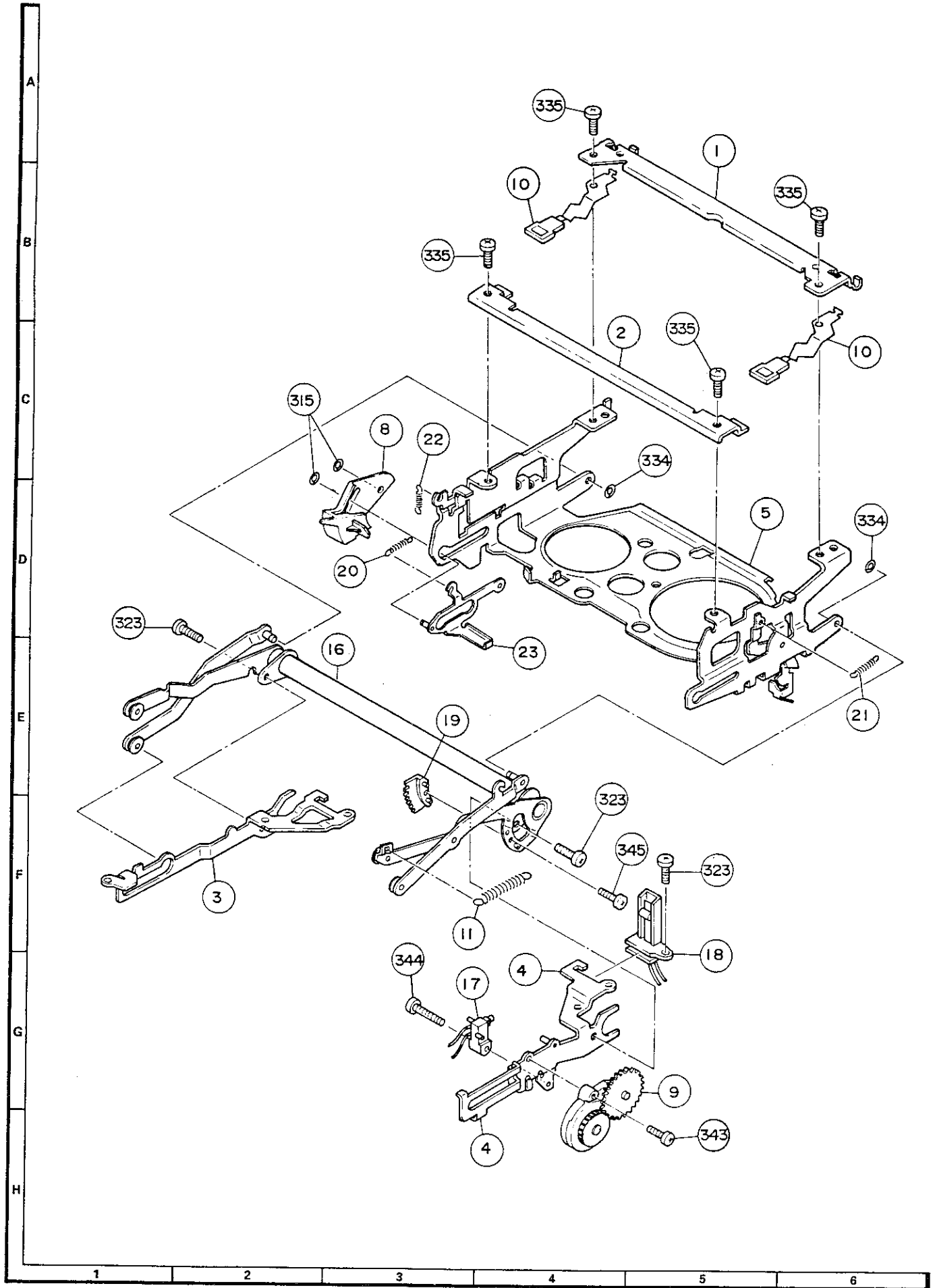
Ref.No	Part No.	★	Description	Code	Ref. No.	Part No.	★	Description	Code
R635	VRS-CY1JF363F		36k 0.063W 1% Metal Oxide	AA	CABINET PARTS				
R693	VRS-CY1JF680J		68 0.063W 5% Metal Oxide	AA	▲E8851 TP201, 202, 203, 401, 402, 501, 502, 602, 603, 690, 691, 911, 912, 2201, 2202	LHLDB1005GEZZ QLUGP0110TAFW		Holder Lug	AG AA
R2214	VRS-CY1JF750J		75 0.063W 5% Metal Oxide	AA					
MISCELLANEOUS PARTS									
▲F901	QFS-L3123TAZZ		Fuse	AE					
J9901	QJAKC0008GEZZ		Jack	AC					
P13	QPLGN0960TAZZ		Plug	AD					
P14	QPLGN0360TAZZ		Plug	AC					
P15, 26	QPLGN0460TAZZ		Plug	AC					
P16	QPLGN0260TAZZ		Plug	AC					
P18	QPLGN0860TAZZ		Plug	AD					
SC2	QCNCW2236TAZZ		Connector	AF					
SC3	QCNCW1836TAZZ		Connector	AF					
SC4	QCNCW1236TAZZ		Connector	AE					
SW8852, 8855	QSW-K0014CEZZ		Switch	AC					
SW8853	QSW-K0083GEZZ		Switch	AD					
SW8857	QSW-K0057GEZZ		Switch	AC					
SW8858	QSW-K0082GEZZ		Switch	AD					



VIEWFINDER PARTS

★ MARK : SPARE PARTS-DELIVERY SECTION

Ref. No.	Part No.	★	Description	Code	Ref. No.	Part No.	★	Description	Code
	DM6N-6020QA01		VIEWFINDER Ass'y	BS	10	PSPAG0052TAZZ		O Ring	AA
1	CLNS-0101TA01		Lens Unit	AM	11	PSPAG0053TA00		CRT Rubber	AC
1-1	90APKM833601		Eye Cup	AF	12	PSPAG0054TA00		O Ring (For Cabinet)	AC
2	GCABA6050TASA		Upper Cabinet	AF	13	PSPAZ0056TAZZ		Spacer	AA
3	GCABB6050TASA		Bottom Cabinet	AF	14	LX-HZ0013TAF		Screw	AA
4	GMADi0011TA00		CRT Mask	AE	15	XESSF26P20000		Screw	AA
5	LANGK0269TA00		Tilt Angle	AF	16	TCAUS0491TAZZ		CAUTION LABEL	AA
6	LHLDZ1122TA00		Rotary Shaft (A)	AC	△17	RCILH1695CEZZ		Deflection York	AR
7	LHLDZ1123TA00		Rotary Shaft (B)	AC	△18	VB01KGG007W#N		Picture tube	BG
8	LHLDZ1124TA00		Wire Guide	AC	19	DUNTK2217PM00		Viewfinder PWB	—
9	LHLDZ1125TA00		CRT Holder	AC					



CASSETTE HOUSING CONTROL PLARTS

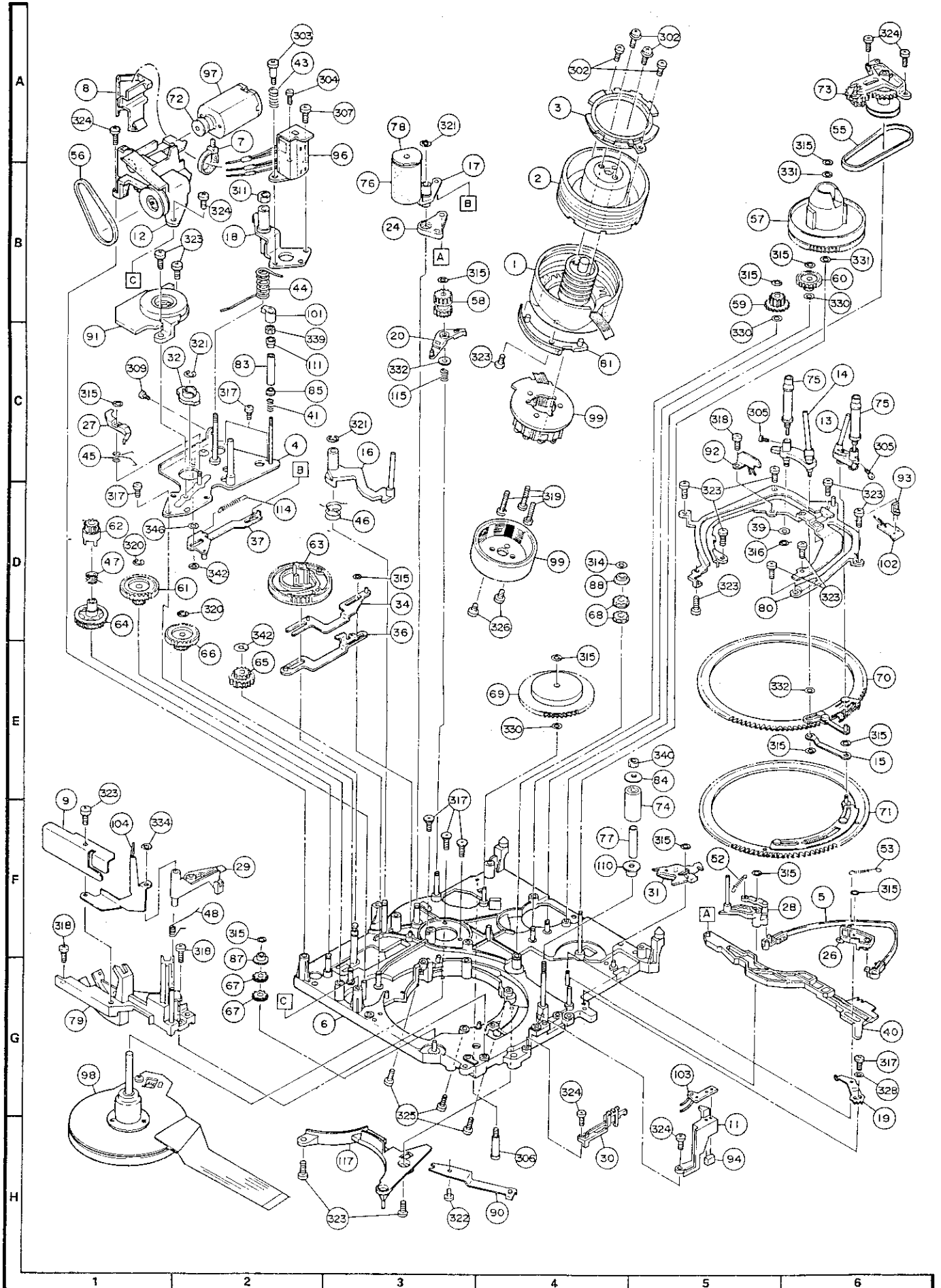
★ MARK : SPARE PARTS-DELIVERY SECTION

Ref. No.	Part No.	★	Description	Code	Ref. No.	Part No.	★	Description	Code
1	CHLDX3056GE03		Cassette Housing	AZ	10	MSPRP0107GEFJ		Pressure Spring	AC
	LANGF9418GEFW		Control Ass'y		11	MSPRT0315GEFJ		Up Spring	AA
2	LANGF9419GEFW		Garage Reinforcement	AC	16	NSFTZ0093GEZZ		Main Shaft Ass'y	AM
			Panel (A)		17	QSW-M0027GEZZ		Cassette Down Switch	AC
3	LANGF9421GEFW		Garage Reinforcement	AB	18	QSW-Z0023GEZZ		Rec Tip Switch	AX
			Panel (B)		19	NGERH1142GEZZ		Damper Gear	AA
4	LANGF9420GEZZ		Side Panel (R)	AC	20	MSPRT0316GEFJ		Lid Open Slider Spring	AA
5	LHLDX3056GEZZ		Side Panel (L) Ass'y	AD	21	MSPRT0313GEFJ		Lock Lever Spring	AA
8	MLEVP0176GEZZ		Cassette Housing Ass'y	AH	22	MSPRT0314GEFJ		Misloading Prevention	AA
9	MLIFV0011GEZZ		Lid Opener	AB				Lever Spring	
			Damper	AG	23	MSLIF0057GEZZ		Lid Open Slider Ass'y	AD

SCREWS, NUTS, WASHERS

★ MARK : SPARE PARTS-DELIVERY SECTION

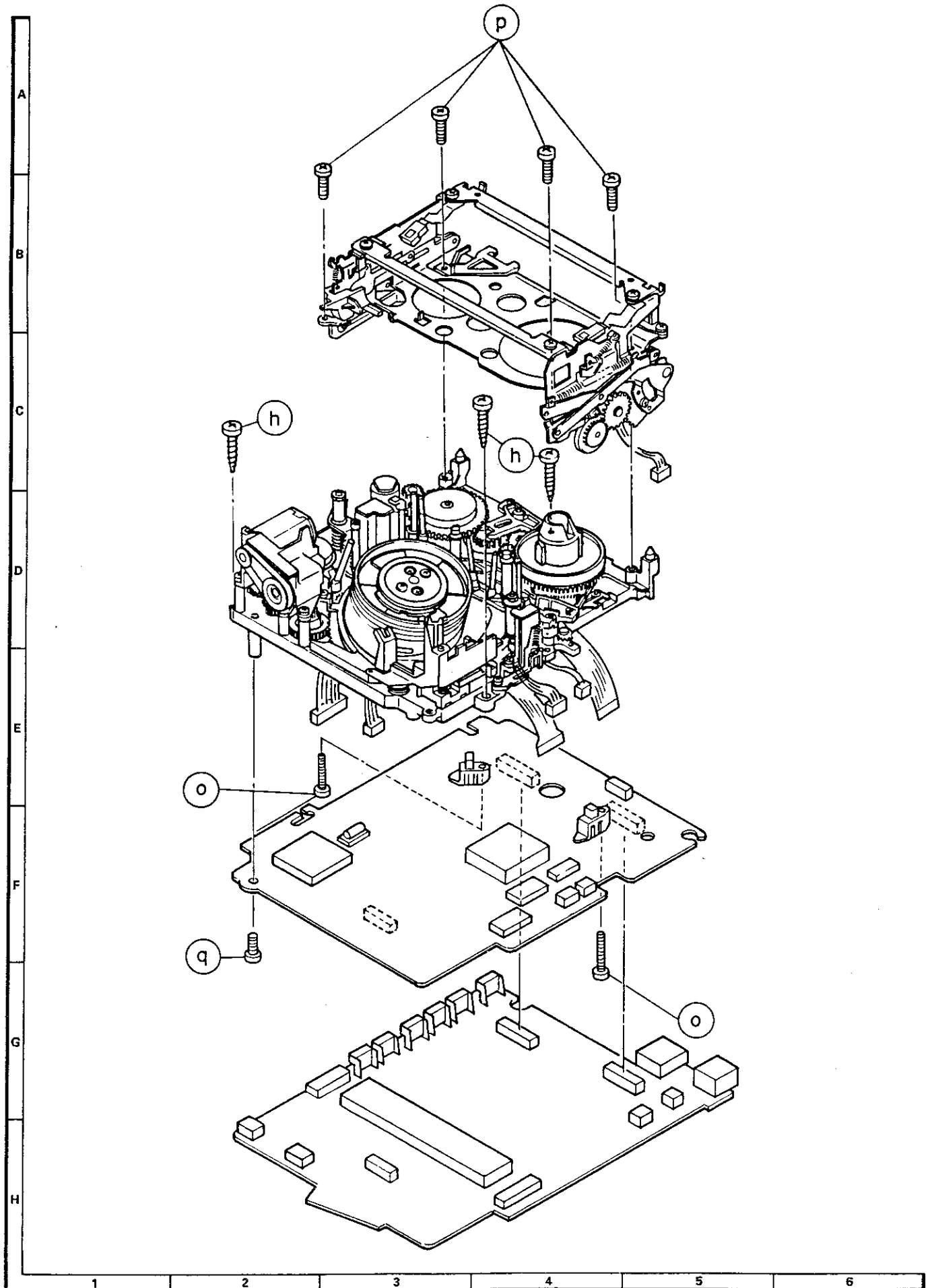
Ref. No.	Part No.	★	Description	Code	Ref. No.	Part No.	★	Description	Code
301	LX-BZ3113GEFN		Screw (Upper Drum),	AA	325	XSPSD17P05000		Screw, M1.7x15 (SMT-3)	AA
302	XSPSD14P04000		M2x1		326	XSPSD20P03000		Screw, M2x13 (SMT-3)	AA
			Screw (Damper),	AA	328	XWHBZ18-02040		Washer, HW (φ1.8W4.0-	AA
303	LX-BZ3077GEFD		M1.4x14				t0.2)		
304	LX-BZ3078GEFD		Screw, A/C Head	AA	329	XWHJZ16-01030		Washer, Polyslider	AA
305	LX-BZ3079GEFF		Screw, A/C Head Tilt	AA			(φ1.6w3.0-t0.13)		
306	LX-BZ3116GEFW		Screw, Guide Roller	AA	330	XWHJZ16-02030		Washer, Polyslider	AA
307	LX-BZ3081GEFF		Screw, Spacer	AA			(φ1.6w3.0-t0.25)		
309	LX-BZ3087GEFD		Screw, M1.4x13.5 (A/C	AA	331	XWHJZ16-05030		Washer, Polyslider	AA
311	LX-NZ3032GEZZ		Head)				(φ1.6w3.0-t0.5)		
314	LX-WZ1006GE00		Screw, X-value Adjust	AA	332	XWHJZ17-02055		Washer, Polyslider	AA
315	LX-WZ1029GE00		Nut, M2 Nylon	AB			(φ1.7w5.5-t0.25)		
			Washer, Polyslider Cut	AA	334	LX-WZ1030GE00		Washer, Polyslider Cut	AA
316	LX-WZ1032GE00		(φ2.6w5.5-w.25)				(φ1.6w4.0-t0.25)		
			Washer, Polyslider Cut	AA	335	LX-HZ3044GEFD		Screw, M2x13 (Tapitite)	AA
317	XAPSF17P03000		(φ1.2w3.0-w.25)		339	LX-NZ3045GEZZ		Nut, M1.7	AB
318	XAPSF17P04000		Washer, Polyslider Cut	AA	340	LX-NZ3039GEZZ		Nut, M2	AA
319	XAPSF17P11000		(φ2.1w4.0-w.25)		342	LX-WZ1024GE00		Washer, Polyslider Cut	AA
320	XRESJ15-04000		Screw, M1.7x13 (SMT-1)	AA			(φ1.6w6.0-t0.5)		
321	XRESJ20-04000		Screw, M1.7x14 (SMT-1)	AA	343	XSPSD17P06000		Screw, M1.7x16 (SMT-3)	AA
322	XSPSD17P02000		Screw, M1.7x11 (SMT-1)	AA	344	XSPSD20P06000		Screw, M2x16 (SMT-3)	AA
323	XSPSD17P03000		E-Ring 1.5	AA	345	LX-HZ3051GEFD		Screw, M1.7x13.5 (SMT-	AA
324	XSPSD17P04000		E Ring, 2	AA			3)		
			Screw, M1.7x12 (SHT-3)	AA	346	XWHJZ31-05070		Washer, Polyslider Cut	AA
			Screw, M1.7x13 (SMT-3)	AA			(φ3.1w7-t0.5)		
			Screw, M1.7x14 (SMT-3)	AA					



MECHANISM CHASSIS PARTS

★ MARK : SPARE PARTS-DELIVERY SECTION

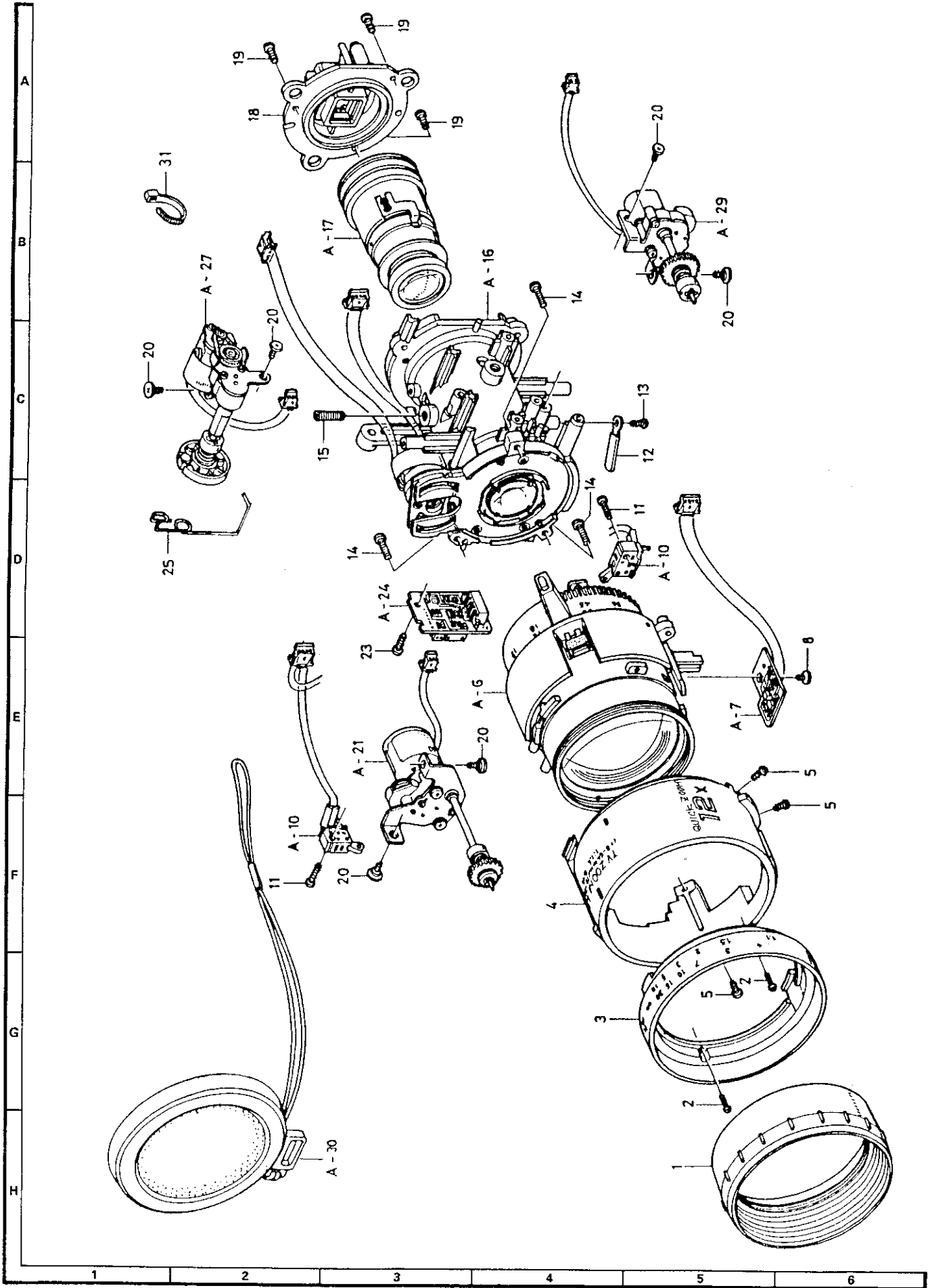
Ref. No.	Part No.	★	Description	Code	Ref. No.	Part No.	★	Description	Code
1	DDRML0013HE03		Bottom Drum Ass'y	BD	56	NBLTK0054GE00		Loading Belt	AB
2	DDRMU0011HE04		Upper Drum Ass'y	BS	57	NDAiV1052GEZZ		Reel Disk Ass'y	AF
3	NFLYV0065GEZZ		Dynamic Damper	AF	58	NGERH1143GEZZ		Rewind Gear	AA
4	LANGF9417GEZZ		A/C Head Base Ass'y	AK	59	NGERH1095GEZZ		Slowing Down Gear	AA
5	LBNDK1004GEZZ		Tension Band Ass'y	AD	60	NGERH1096GEZZ		Relay Gear	AB
6	LCHSM0104GEZZ		Main Chassis Ass'y	BB	61	NGERH1097GEZZ		Master Cam Drive Gear	AD
7	LHLDW1070GEZZ		Nylon Band	AA	62	NGERH1098GEZZ		Reciprocating Gear	AA
8	LHLDW1100GEZZ		Wire Holder	AA	63	NGERH1140GEZZ		Master Cam	AC
9	LHLDW1116GEZZ		Head Amp F.P.C Holder	AB	64	NGERH1101GEZZ		Loading Ring Drive Gear	AA
11	LHLDZ1621GEZZ		End Sensor Holder	AB				(A)	
12	LHLDZ1623GEZZ		Loading Motor Holder	AB	65	NGERH1102GEZZ		Loading Ring Drive Gear	AA
			Ass'y					(B)	
13	LP&LM0030GEZZ		Pole Base-A Ass'y	AK	66	NGERH1103GEZZ		Loading Gear	AD
14	LP&LM0031GEZZ		Pole Base-B Ass'y	AK	67	NGERH1104GEZZ		L Ring Gear (A)	AA
15	MARMM0064GEFW		Pole Base-B Coupling	AA	68	NGERH1105GEZZ		L Ring Gear (B)	AA
			Lever		69	NGERH1141GEZZ		Limiter Ass'y	AE
16	MLEVC0019GEZZ		Slant Pole-c Arm Ass'y	AG	70	NGERH3033GEZZ		L Ring Ass'y (A)	AH
17	MLEVF0338GEZZ		Pinch Roller Lever Ass'y	AF	71	NGERH3034GEZZ		L Ring Ass'y (B)	AH
18	MLEVF0272GEZZ		A/C Head Arm Ass'y	AE	72	NPLYV0123GEZZ		Loading Motor Pulley	AA
19	MLEVF0273GEFW		Tension Band Adjusting	AB	73	NPLYV0124GEZZ		Drive Unit	AF
			Lever		74	NR&LP0084GEZZ		Supply Impedance roller	AC
20	MLEVP0174GEZZ		Lock Brake	AB	75	NR&LP0055GEZZ		Guide Roller	AG
24	MLEVP0171GEZZ		Change Lever	AA	76	NR&LR0019GEZZ		Pinch Roller	AA
26	MLEVP0173GEZZ		Tension Band Base	AB	77	NSFTL0563GEFW		Supply Impedance Roller	AC
27	MLEVP0114GEZZ		Slant Pole-C Pinch Lever	AA				Inner	
28	MLEVP0115GEZZ		Tension Arm Ass'y	AD	78	PC&VP1016GEZZ		Pinch Roller Cap	AA
29	MLEVP0175GE09		TS Roller Lever	AB	79	PGiDC0036GEZZ		Base Stopper Ass'y	AL
30	MLEVP0118GEZZ		Tension Arm Spring	AA	80	PGiDM0071GEZZ		Guide Rail	AC
			Lever		81	PGiDM0059GEZZ		Pole Base-B Guide	AB
31	MLEVP0172GEZZ		Eject Lever	AA	83	PGiDS0020GEFW		Retaining Guide (B)	AC
32	MLEVP0122GEZZ		Slant Pole-C Pinch Cam	AA	84	PGiDS0026GEFW		Supply Impedance Roller	AB
34	MSLiF0055GEZZ		Main Shifter Operation	AE				Flange (B)	
			Panel Ass'y		85	PGiDS0022GEFW		Guide Flange	AB
36	MSLiF0046GEZZ		Slant Pole-C Arm Lever	AG	87	PSPA Z0136GEZZ		L Ring Washer (A)	AA
			Ass'y		88	PSPA Z0137GEZZ		L Ring Washer (B)	AA
37	MSLiF0056GEZZ		Pinch Operation Lever	AC	90	QBR SK0019GEZZ		Ground Brush	AC
			Ass'y		91	QSW-R0027GEZZ		Mode Switch	AG
39	MSLiF0039GEFW		Slider	AA	92	RDTCH0028GEZZ		Dew Sensor Ass'y	AG
40	MSLiP0003GEZZ		Main Shifter	AB	93	RH-PX0152GEZZ		Cassette LED	AC
41	MSPRC0129GEFJ		Retaining Guide Spring	AA	94	RH-PX0153GEZZ		End Sensor	AD
43	MSPRC0131GEFJ		A/C Head Spring	AA	96	RHEDU0071GEZZ		A/C, A/E Head Ass'y	AW
44	MSPRC0132GEFJ		A/C Head Arm Spring	AA	97	RM&TM1051GEZZ		Loading Motor	AQ
45	MSPRD0080GEFJ		Slant Pole-C Arm Pinch	AA	98	RM&TN2034GEZZ		Capstan DD Motor	BD
			Spring		99	RM&TP1103GEZZ		Drum DD Motor	AX
46	MSPRD0081GEFJ		Slant Pole-C Arm Return	AA	101	PCAPS1019GEZZ		Tape Guide	AA
			Spring		102	QPWBF2461GEZZ		LED PWB	AA
47	MSPRD0082GEFJ		Reciprocating Gear	AA	103	QPWBF2462GEZZ		End Sensor PWB	AA
			Spring		104	MSPRP0109GEFJ		Pole Base-A Guide	AC
48	MSPRD0083GEFJ		Full Erase Head Arm	AA	110	PG-DH0031GEFW		Supply impedance Roller	AA
			Spring					Flange	
52	MSPRT0266GEFJ		Tension Arm Spring	AA	111	PGiDS0025GEFW		Guide Flange (B)	AB
53	MSPRT0260GEFJ		Tension Band Base	AA	114	MSPRT0312GEFJ		Pinch Spring	AB
			Spring		115	MSPRC0165GEFJ		Lock Brake Spring	AA
55	NBLTK0053GE00		Drive Belt	AB	117	LHLDZ1710GEZZ		Rotor Holder	AC



CABINET PARTS

★ MARK : SPARE PARTS-DELIVERY SECTION

Ref. No.	Part No.	★	Description	Code	Ref. No.	Part No.	★	Description	Code
1	CCABA6051TA04		Cabinet Ass'y (A)	AX	15	RMiCC0040TAZZ		Microphone	AU
1-1	GDAI-3038TA00		Tripod Mounting Base	AG	16	RUNTK0637GEZZ		Operation Panel Unit	AZ
1-2	JBTN-0147TASB		Button, Fade	AC	16-1	93GNW060220		Housing	AQ
1-3	JBTN-0148TASA		Button, Focus	AC	16-2	93GNW060320		Key Top (A)	AH
1-4	JKNBK0112TASB		Green Control	AD	16-3	93GNW060410		Key Top (B)	AC
1-5	JKNBK0113TASA		EXT control	AB	16-4	93GNW060510		Key Top (C)	AC
1-6	LANGT0413TAFW		Shoe Retaining Bracket	AC	16-5	93GNW060610		Key Top (D)	AC
1-7	LHLDZ1114TA00		EXT Holder	AB	16-6	93GNW060620		Key Top (D) (Red)	AC
1-8	MSPRD0012TAFW		Tape Guide Spring	AB	16-7	93GNW060710		Key Top (E)	AC
1-9	PGiDM0008TAZZ		Tape Guide	AB	16-8	93GNW060810		Belt Retaining Bracket	AH
2	CCABB6051TA04		Cabinet Ass'y (B)	BD	16-9	93GNW060910		Nut, Square	AC
2-1	GC6VA1215TASD		VTR S/S Button Cover	AH	16-10	93GNW061010		Lens	AC
2-2	HiNDP0139TASA		Battery Indication Panel	AG	16-11	93GNW067010		PWB Ass'y	BD
2-3	JBTN-0149TASA		Button, VTR S/S	AB	16-12	93GNW061810		Retaining Bracket	AE
2-4	JBTN-0150TASA		Button, Calendar	AC	16-13	93GN-SM2104		Screw	AB
			Adjustment		16-14	93GN-NM2105		Screw	AA
2-5	JBTN-0151TASA		Button, Sub Rec	AB	17	VHiiCX027BK-1		CCD Image Sensor	BT
2-6	JBTN-0152TASA		Button, Self Timer	AC	18	DUNTK2204PM01		Sensor PWB	—
2-7	LANGK0266TAFW		V/F Retaining Bracket	AC	19	DUNTK2313PM00		Camera Main PWB	—
2-8	LANGT0414TA00		Belt Bracket	AD	20	DUNTK2207RA03		Camera Operation PWB	—
2-9	LHLDZ1112TAZZ		Battery Lock Holder	AB	21	DUNTK2206PM01		A/F PWB	—
2-10	LHLDZ1113TAZZ		Hand Strap Holder	AB	22	LHLDZ1104TA00		LCD Unit Holder	—
2-11	QCNW-1008TAZZ		Battery Terminal	AF	23	RLCDD0003TAZZ		LCD Unit	AM
2-12	QSW-Z0028TAZZ		Zoom Switch	AN	24	TLABM1370TAZZ		Model Label (VL-C790S)	AB
2-13	UBNDT0045TASA		Hand Strap	AQ	24	TLABM1371TAZZ		(VL-C790H)	AB
3	CFTAC1077TA11		Cassette Cover Ass'y	AQ		TLABM1372TAZZ		(VL-C790X)	AB
			(VL-C790S, H, X)			TLABM1373TAZZ		(VL-C7450E)	AB
3	CFTAC1077TA12		(VL-C7450E)	AQ	25	GC6VA7002TA00		V/F Stopper Rubber	AB
3-1	GMADC0026TASA		Cassette Window	AK	a	LX-HZ0007TAFF		Screw	AA
			(VL-C790S, H, X)		b	LX-HZ0008TAFF		Screw	AA
3-1	GMADC0027TASA		(VL-C7450E)	AK	c	LX-HZ0009TAFF		Screw	AA
3-2	TLABH0138TAZZ		Push Label	AA	d	LX-HZ0012TAFF		Screw	AA
4	CLNS-0100TA05		Lens Unit	CD	e	LX-HZ3037GEFD		Screw	AA
5	GDAI-3040TA00		Shoe	AC	f	XBBSF20P06000		Screw	AA
6	GFTAB1026TASD		Lithium Battery Cover	AC	g	XBPSD20P04000		Screw	AA
7	HPNLC6020TASA		Top Panel	AF	h	XBSSD20P04000		Screw	AA
8	LANGK0267TAFW		CCD Image Sensor	AD	i	XBSSF26P06000		Screw	AA
			Retaining Bracket		j	XEBSD23P06000		Screw	AA
9	LHLDZ1104TA00		CCD Positioning Holder	AC	k	XEPSD20P06000		Screw	AA
10	MSPRP0078TA00		Shoe Spring	AD	l	XEPSD26P12000		Screw	AA
11	PC6VM8011TA00		Crystal Filter Protection	AB	m	XSPSF20P06000		Screw	AA
			Rubber		n	XSSSF20P06000		Screw	AA
12	PFiLW0054TAZZ		Crystal Filter	AZ	o	XSPSD17P11000		Screw	AA
13	PSLDM3127TAFW		Sensor Shield Case	AE	p	XSPS320P04000		Screw	AA
14	PSLDM3128TAFW		Sensor Shield Case	AD	q	XSPSN17P04000		Screw	AA
					r			Screw	AA



LENS UNIT PARTS (CLNS-0100TA05)

★ MARK : SPARE PARTS-DELIVERY SECTION

Ref. No.	Part No.	★	Description	Code	Ref. No.	Part No.	★	Description	Code
1	99JWPK513934		Lens Hood	AH	15	99JUPCA818323		Screw	AB
2	99JPKBTP144020		Screw (B), Phillips Head	AA	A-16	99JWPK513944		Iris Ass'y	BE
3	99JWPKF514922		Focus Ring (2)		A-17	99JWPK513947		Master Lens Ass'y	BP
4	99JWPKFD514923		Cover Ass'y		18	99JWPK513930		CCD Holder	AF
5	99JPKBTP173525		Screw (B), Phillips Head	AA	19	99JPKBTP204535		Screw (B), Phillips Head	AA
A-6	99JWPK513946		Zoom Lens Ass'y	BU	20	99J512649		Screw	AB
A-7	99JWPK513974		Sensor PWB Ass'y	AR	A-21	99JWPK513941		F Motor Ass'y	AY
8	99JPKBTP142540		Screw (Ni), Phillips Head	AA	23	99JPKBTP142540		Screw (Ni), Phillips Head	AA
A-10	99JWPK513975		Zoom Position Switch Ass'y	AF	A-24	99JWPK513973		B-B PWB Ass'y	AR
11	99JPKBTP177030		Screw (B), Phillips Head	AA	25	99JWPK513921		Change Lever	AH
12	99JWPi513373		Lug Plate	AC	26	99JWPK513938		M Adjustment Lever	AB
13	99JPKBTP173030		Screw (B), Phillips Head	AA	A-27	99JWPK513943		EX Motor Ass'y	AZ
14	99JWPKP206035		Screw (Ni), Phillips Head	AA	A-29	99JWPK513942		PZ Motor Ass'y	AZ
					A-30	99JWPK513945		Hood cap Ass'y	AK

